

The image displays various components of the GERPAAS support system against a black background. At the top left, two long, silver-colored metal channels are shown, one with a series of oval-shaped cutouts along its length. Below these are two L-shaped metal brackets, each with two circular holes. In the bottom right, a long, thin metal rod with a threaded end is shown, accompanied by another L-shaped metal bracket with two circular holes.

GERPAAS[®]

Support systems
Supportage
Tragsystemen
Поддержка систем
Destek sistemleri

GERPAAS[®]



GE-CSKS CLAMPS

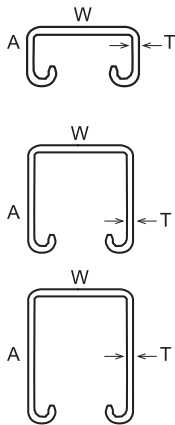


Material options: Stainless steel AISI 304 (L) (A2) / AISI 316 (L) (A4), ST-37-42 Mild Steel, Corten A, Pregalvanized steel, Aluminum
 Finish options : Hot Dip Galvanized to EN 1461, Electrogalvanized to TS 149, Electrostatic Paint Coated, Prime coated
 See material & finish option charts for available product specific selections.

Support Systems

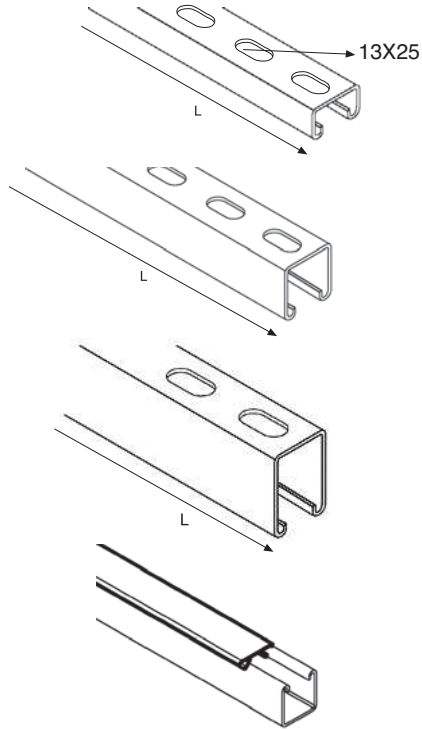
GE-UCD

C channel, perforated, single
 C profil, delikli, tekli
 Профиль



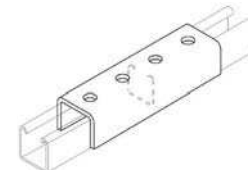
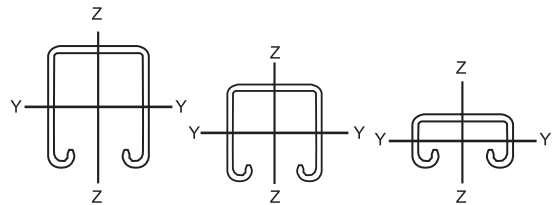
GE-CPC

Cover for channel, PVC
 Profil kapağı, plastik
 Обложка для канала, ПВХ

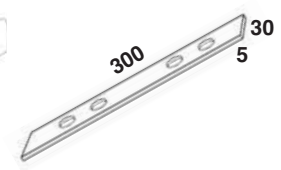


Part No	T	W	A	L	Kg/m	I _y	L _z
GE-UCD-1	2.0	41	21	3000	1.60	1.1	4.7
GE-UCD-2	2.5	41	21	3000	2.00	1.3	5.6
GE-UCD-3	1.5	41	41	3000	1.70	4.9	6.1
GE-UCD-4	2.0	41	41	3000	2.25	6.2	7.8
GE-UCD-5	2.5	41	41	3000	2.80	7.3	9.3
GE-UCD-6	2.5	41	83	6000	4.40	37.5	16.5

HDG PG SS4 SS6 ESB APB L: 3/6m



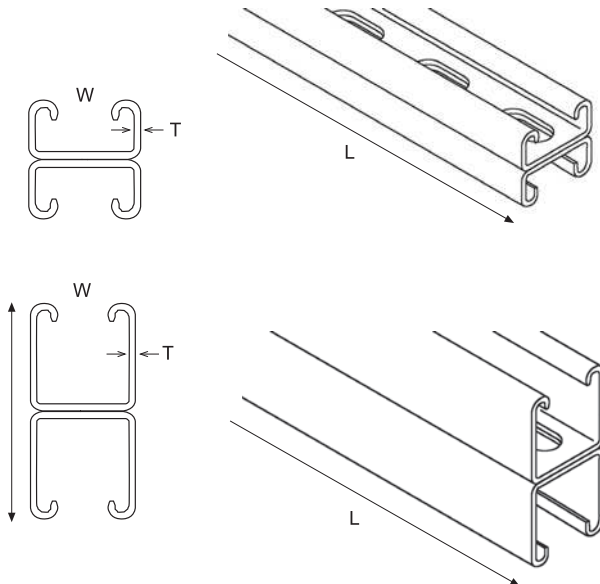
GE-UCDEKD



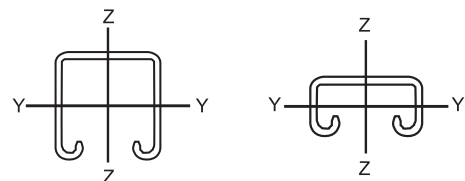
GE-UCDEKC

GE-CDOD

C channel, perforated, back to back
 C profil, delikli, çiftli
 Профиль



Part No	T	W	A	L	Kg/m	I _y	L _z
GE-CDOD-1	2.0	41	43	3000	3.20	9.4	5.4
GE-CDOD-2	2.0	41	83	3000	4.50	31.6	15.5
GE-CDOD-3	2.5	41	43	3000	4.00	11.1	6.2
GE-CDOD-4	2.0	41	83	3000	5.60	37.5	18.6



HDG PG SS4 SS6 ESB APB

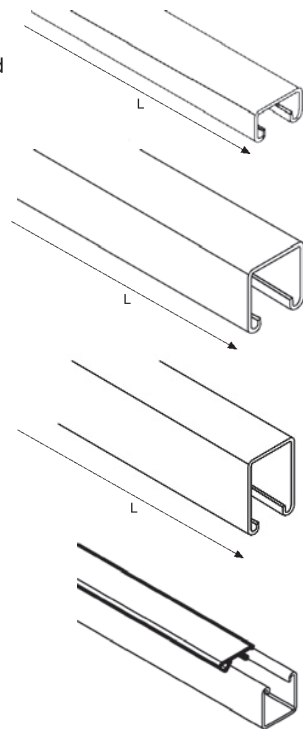
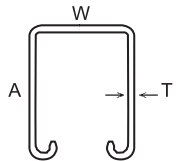
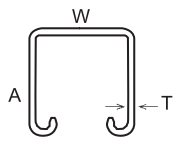
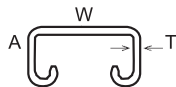
Material options: Stainless steel AISI 304 (L) (A2) / AISI 316 (L) (A4), ST-37-42 Mild Steel, Corten A, Pregalvanized steel, Aluminum
 Finish options : Hot Dip Galvanized to EN 1461, Electrogalvanized to TS 149, Electrostatic Paint Coated, Prime coated
 See material & finish option charts for available product specific selections.

Support Systems

GE-UC

C channel, non perforated
 C profil, deliksiz

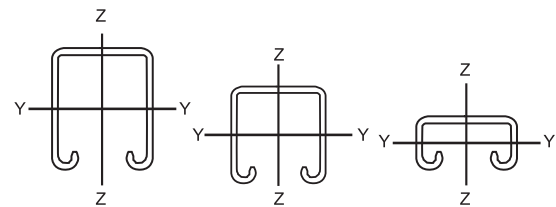
Профиль



GE-CPC

Cover for channel, PVC
 Profil kapağı, plastik
 Обложка для канала, ПВХ

Part No	T	W	A	L	Kg/m	I _y	L _z
						cm ⁴	cm ⁴
GE-UC-1	2.0	41	21	3000	1.70	1.1	4.7
GE-UC-2	2.5	41	21	3000	2.10	1.3	5.6
GE-UC-3	1.5	41	41	3000	1.80	4.9	6.1
GE-UC-4	2.0	41	41	3000	2.35	6.2	7.8
GE-UC-5	2.5	41	41	3000	2.90	7.3	9.3
GE-UC-6	2.5	41	83	6000	4.40	37.5	16.5

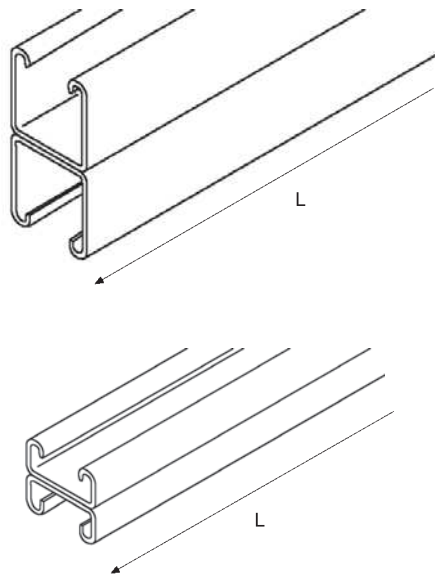
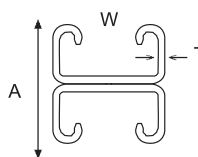
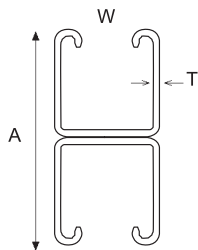


HDG PG SS4 SS6 ESB APB

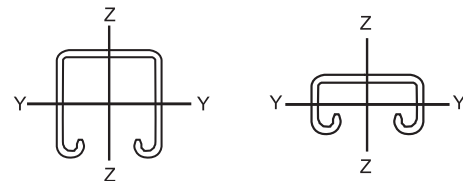
GE-CDO

C channel, non perforated, back to back
 C profil, deliksiz, çiftli

Профиль



Part No	T	W	A	L	Kg/m	I _y	L _z
						cm ⁴	cm ⁴
GE-CDO-1	2.0	41	43	3000	3.00	9.4	5.4
GE-CDO-2	2.0	41	83	3000	4.30	31.6	15.5
GE-CDO-3	2.5	41	43	3000	3.75	11.1	6.2
GE-CDO-4	2.5	41	83	3000	5.60	37.5	18.6



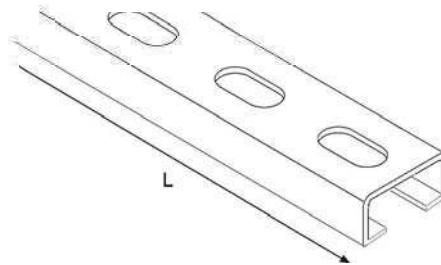
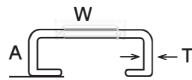
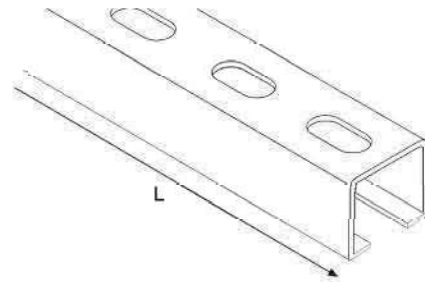
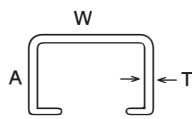
HDG PG SS4 SS6 ESB APB

Material options: Stainless steel AISI 304 (L) (A2) / AISI 316 (L) (A4), ST-37-42 Mild Steel, Corten A, Pregalvanized steel, Aluminum
 Finish options : Hot Dip Galvanized to EN 1461, Electrogalvanized to TS 149, Electrostatic Paint Coated, Prime coated
 See material & finish option charts for available product specific selections.

Support Systems

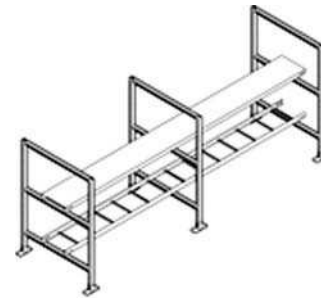
GE-UCHD

C channel, perforated, single
 C profil, delikli, tekli
 Профиль



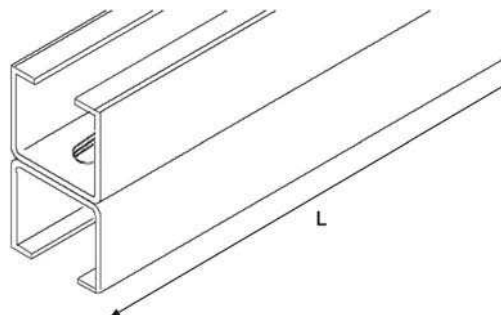
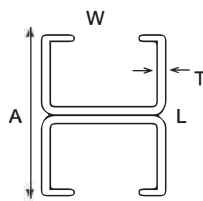
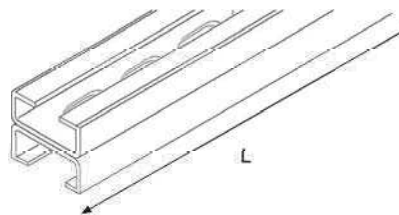
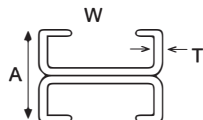
Part No	T	W	A	L	Kg/m	I _y	L _z
GE-UCHD-1	1.5	41	21	3000	1.04	0.8	3.4
GE-UCHD-2	1.5	41	41	3000	1.52	4.4	5.8
GE-UCHD-3	2.0	41	41	3000	2.05	5.6	7.4
GE-UCHD-4	1.2	27	18	2000	0.65	0.4	0.9
GE-UCHD-5	2.0	38	40	2000	2.00	5.0	6.1
GE-UCHD-6	3.0	40	60	2000	3.85	13.5	20.0

(HDG) (PG) (SS4) (SS6) (ESB) (APB)



GE-UCHOD

C channel, perforated, back to back
 C profil, delikli, çiftli
 Профиль



Part No	T	W	A	L	Kg/m	I _y	L _z
GE-UCHOD-1	1.5	41	43	3000	2.08	3.3	6.8
GE-UCHOD-2	1.5	41	83	3000	3.04	19.7	11.5
GE-UCHOD-3	2.0	41	83	3000	4.10	25.7	14.7

(HDG) (PG) (SS4) (SS6) (ESB) (APB)



Material options: Stainless steel AISI 304 (L) (A2) / AISI 316 (L) (A4), ST-37-42 Mild Steel, Corten A, Pregalvanized steel, Aluminum
 Finish options : Hot Dip Galvanized to EN 1461, Electrogalvanized to TS 149, Electrostatic Paint Coated, Prime coated
 See material & finish option charts for available product specific selections.

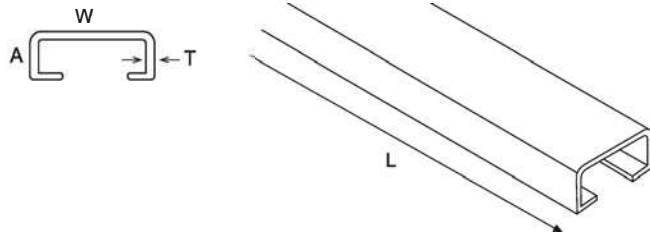
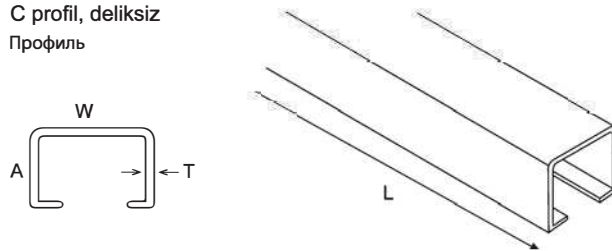
Support Systems

GE-UCH

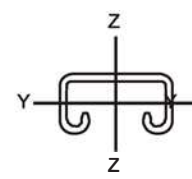
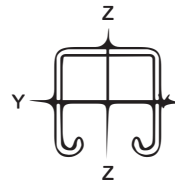
C channel, non perforated

C profil, deliksiz

Профиль



Part No	T	W	A	L	Kg/m	I_y	L_z
GE-UCH-1	1.5	41	21	3000	1.12	0.8	3.4
GE-UCH-2	1.5	41	41	3000	1.60	4.4	5.8
GE-UCH-3	2.0	41	41	3000	2.15	5.6	7.4



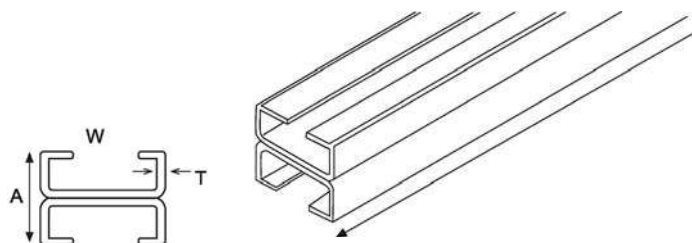
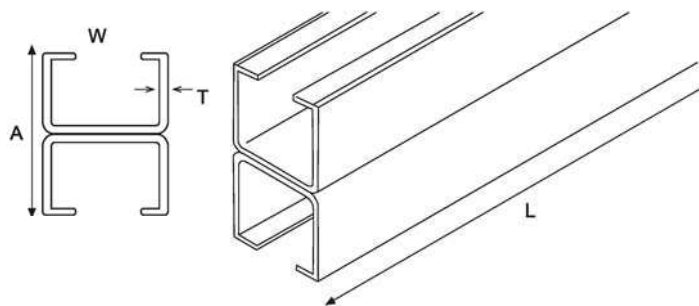
HDG PG SS4 SS6 ESB APB

GE-UCHO

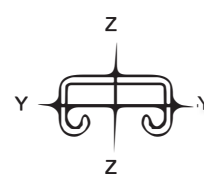
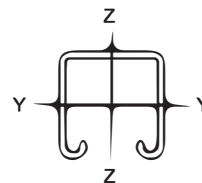
C channel, non perforated, back to back

C profil, deliksiz, çiftli

Профиль



Part No	T	W	A	L	Kg/m	I_y	L_z
GE-UCHO-1	1.5	41	43	3000	2.24	3.3	6.8
GE-UCHO-2	1.5	41	83	3000	3.20	19.7	11.5
GE-UCHO-3	2.0	41	83	3000	4.30	25.7	14.7

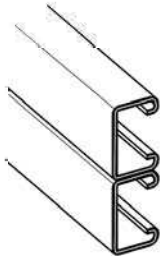


HDG PG SS4 SS6 ESB APB

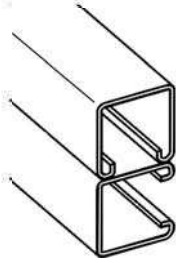
GERPAAS®

- EN Support systems
- FR Supportage
- D Tragsystemen
- RU Поддержка систем
- TR Destek sistemleri

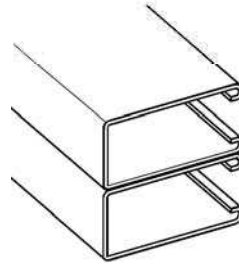
Material options: Stainless steel AISI 304 (L) (A2) / AISI 316 (L) (A4), ST-37-42 Mild Steel, Corten A, Pregalvanized steel, Aluminum
 Finish options : Hot Dip Galvanized to EN 1461, Electrogalvanized to TS 149, Electrostatic Paint Coated, Prime coated
 See material & finish option charts for available product specific selections.



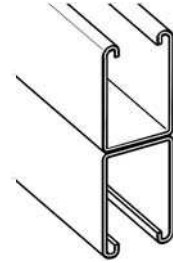
GE-UCAF-1



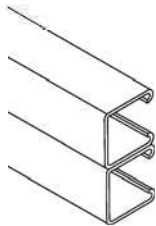
GE-UCAF-2



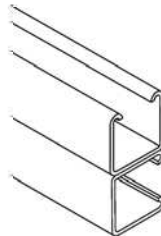
GE-UCAF-3



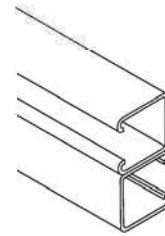
GE-UCAF-4



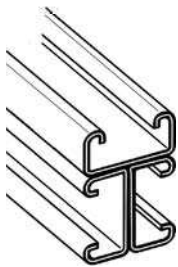
GE-UCAF-5



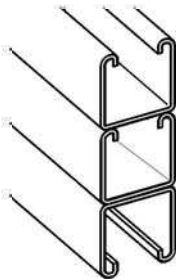
GE-UCAF-6



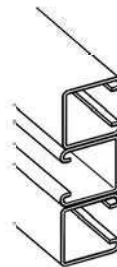
GE-UCAF-7



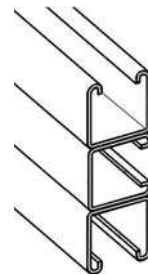
GE-UCAF-8



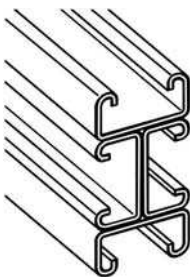
GE-UCAF-9



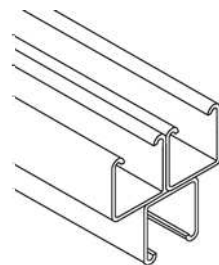
GE-UCAF-10



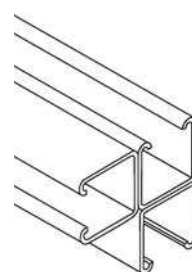
GE-UCAF-11



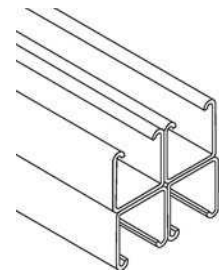
GE-UCAF-12



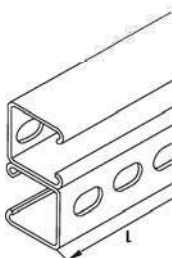
GE-UCAF-13



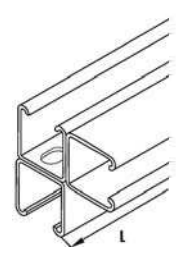
GE-UCAF-14



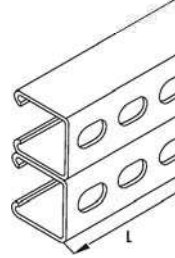
GE-UCAF-15



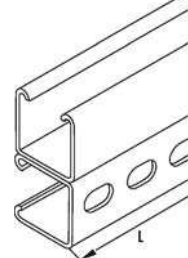
GE-UCAF-16



GE-UCAF-17



GE-UCAF-18



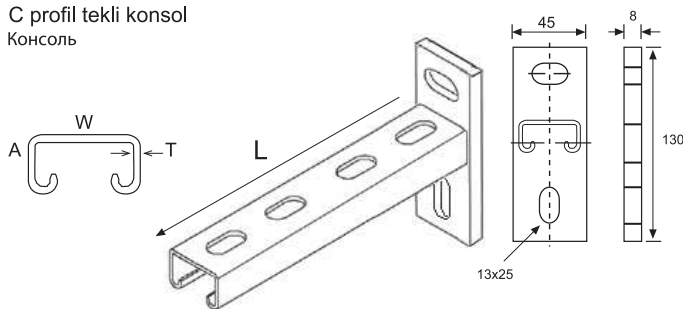
GE-UCAF-19

Material options: Stainless steel AISI 304 (L) (A2) / AISI 316 (L) (A4), ST-37-42 Mild Steel, Corten A, Pregalvanized steel, Aluminum
 Finish options : Hot Dip Galvanized to EN 1461, Electrogalvanized to TS 149, Electrostatic Paint Coated, Prime coated
 See material & finish option charts for available product specific selections.

Support Systems

GE-KDC

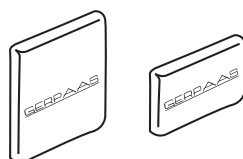
C channel single bracket
 C profil tekli konsol
 Консоль



Part No	T	W	A	L	Kg
GE-KDC-1	1.5	41	21	110	0,49
GE-KDC-2	1.5	41	21	160	0,54
GE-KDC-3	1.5	41	21	210	0,59
GE-KDC-4	1.5	41	21	235	0,62
GE-KDC-5	1.5	41	21	310	0,70
GE-KDC-6	1.5	41	21	410	0,80
GE-KDC-7	1.5	41	21	460	0,85
GE-KDC-8	1.5	41	21	510	0,90
GE-KDC-9	1.5	41	21	610	1,00
GE-KDC-10	2.0	41	21	110	0,52
GE-KDC-11	2.0	41	21	160	0,59
GE-KDC-12	2.0	41	21	210	0,66
GE-KDC-13	2.0	41	21	235	0,70
GE-KDC-14	2.0	41	21	310	0,80
GE-KDC-15	2.0	41	21	410	0,94
GE-KDC-16	2.0	41	21	460	1,06
GE-KDC-17	2.0	41	21	510	1,10
GE-KDC-18	2.0	41	21	610	1,22

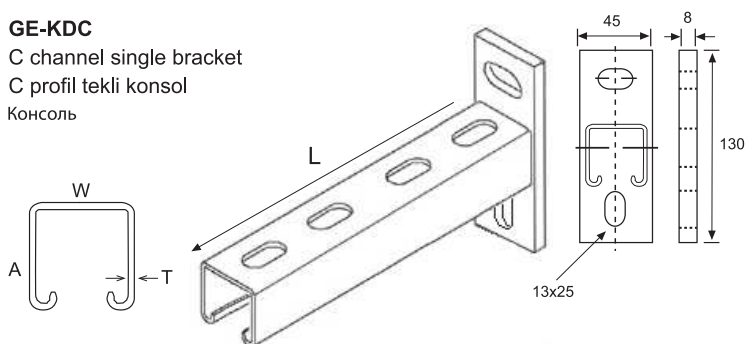
GE-CPS

End cap for channel, PVC
 Profil sonlandırma elemanı, plastik
 Колпачок на конец пластик



GE-KDC

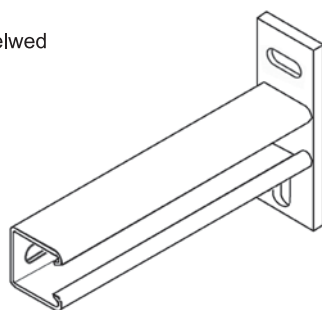
C channel single bracket
 C profil tekli konsol
 Консоль



Part No	T	W	A	L	Kg
GE-KDC-19	2.0	41	41	110	0,59
GE-KDC-20	2.0	41	41	160	0,70
GE-KDC-21	2.0	41	41	210	0,80
GE-KDC-22	2.0	41	41	235	0,86
GE-KDC-23	2.0	41	41	310	1,02
GE-KDC-24	2.0	41	41	410	1,25
GE-KDC-25	2.0	41	41	460	1,35
GE-KDC-26	2.0	41	41	510	1,45
GE-KDC-27	2.0	41	41	610	1,67
GE-KDC-28	2.0	41	41	760	1,99
GE-KDC-29	2.0	41	41	910	2,30
GE-KDC-30	2.5	41	41	110	0,65
GE-KDC-31	2.5	41	41	160	0,79
GE-KDC-32	2.5	41	41	210	0,93
GE-KDC-33	2.5	41	41	235	0,99
GE-KDC-34	2.5	41	41	310	1,20
GE-KDC-35	2.5	41	41	410	1,48
GE-KDC-36	2.5	41	41	460	1,60
GE-KDC-37	2.5	41	41	510	1,75
GE-KDC-38	2.5	41	41	610	2,00
GE-KDC-39	2.5	41	41	760	2,44
GE-KDC-40	2.5	41	41	910	2,85
GE-KDC-41	2.5	41	41	1010	3,15
GE-KDC-42	2.5	41	41	1210	3,68
GE-KDC-43	2.5	41	41	1510	4,50

GE-KDCY

C channel single bracket, side welded
 C profil tekli konsol, yan kaynak
 Консоль

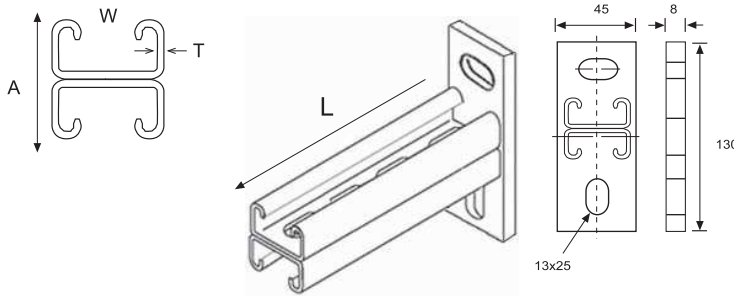


Material options: Stainless steel AISI 304 (L) (A2) / AISI 316 (L) (A4), ST-37-42 Mild Steel, Corten A, Pregalvanized steel, Aluminum
 Finish options : Hot Dip Galvanized to EN 1461, Electrogalvanized to TS 149, Electrostatic Paint Coated, Prime coated
 See material & finish option charts for available product specific selections.

Support Systems

GE-KDCD

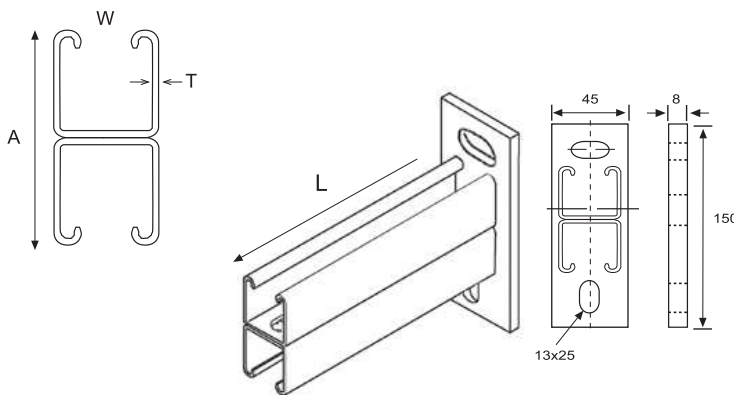
C channel bracket, back to back
 C profil çiftli konsol
 Консоль



Part No	T	W	A	L	Kg
GE-KDCD-1	1.5	41	43	110	0.59
GE-KDCD-2	1.5	41	43	210	0.80
GE-KDCD-3	1.5	41	43	310	1.00
GE-KDCD-4	1.5	41	43	410	1.22
GE-KDCD-5	1.5	41	43	510	1.43
GE-KDCD-6	2.0	41	43	610	2.30
GE-KDCD-7	2.0	41	43	760	2.78
GE-KDCD-8	2.0	41	43	910	3.25
GE-KDCD-9	2.0	41	43	110	0.66
GE-KDCD-10	2.0	41	43	160	0.90
GE-KDCD-11	2.0	41	43	210	1.00
GE-KDCD-12	2.0	41	43	235	1.10
GE-KDCD-13	2.0	41	43	310	1.33
GE-KDCD-14	2.0	41	43	410	1.66
GE-KDCD-15	2.0	41	43	460	1.80
GE-KDCD-16	2.0	41	43	510	1.98
GE-KDCD-17	2.5	41	43	610	2.78
GE-KDCD-18	2.5	41	43	760	3.38
GE-KDCD-19	2.5	41	43	910	3.98

GE-KDCD

C channel bracket, back to back
 C profil çiftli konsol
 Консоль



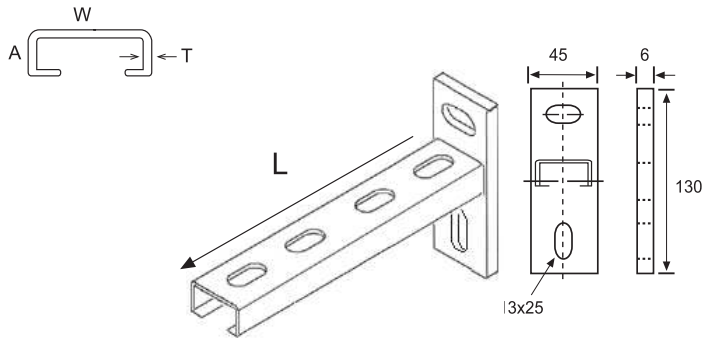
Part No	T	W	A	L	Kg
GE-KDCD-20	2.0	41	83	110	0.84
GE-KDCD-21	2.0	41	83	160	1.05
GE-KDCD-22	2.0	41	83	210	1.25
GE-KDCD-23	2.0	41	83	235	1.35
GE-KDCD-24	2.0	41	83	310	1.65
GE-KDCD-25	2.0	41	83	410	2.10
GE-KDCD-26	2.0	41	83	460	2.30
GE-KDCD-27	2.0	41	83	510	2.50
GE-KDCD-28	2.0	41	83	610	2.90
GE-KDCD-29	2.0	41	83	760	3.50
GE-KDCD-30	2.0	41	83	910	4.15
GE-KDCD-31	2.5	41	83	110	0.97
GE-KDCD-32	2.5	41	83	160	1.25
GE-KDCD-33	2.5	41	83	210	1.50
GE-KDCD-34	2.5	41	83	235	1.65
GE-KDCD-35	2.5	41	83	310	2.05
GE-KDCD-36	2.5	41	83	410	2.60
GE-KDCD-37	2.5	41	83	460	2.90
GE-KDCD-38	2.5	41	83	510	3.15
GE-KDCD-39	2.5	41	83	610	3.70
GE-KDCD-40	2.5	41	83	760	4.50
GE-KDCD-41	2.5	41	83	910	5.30
GE-KDCD-42	2.5	41	83	1010	5.85
GE-KDCD-43	2.5	41	83	1210	6.90
GE-KDCD-44	2.5	41	83	1510	8.55

Material options: Stainless steel AISI 304 (L) (A2) / AISI 316 (L) (A4), ST-37-42 Mild Steel, Corten A, Pregalvanized steel, Aluminum
 Finish options : Hot Dip Galvanized to EN 1461, Electrogalvanized to TS 149, Electrostatic Paint Coated, Prime coated
 See material & finish option charts for available product specific selections.

Support Systems

GE-KDH

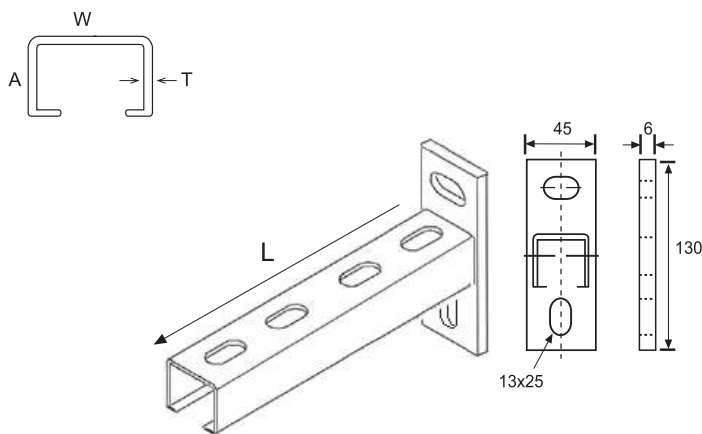
C channel single bracket
 C profil tekli konsol
 Консоль



Part No	T	W	A	L	Kg
GE-KDH-1	1.5	41	21	110	0.38
GE-KDH-2	1.5	41	21	210	0.49
GE-KDH-3	1.5	41	21	310	0.60
GE-KDH-4	1.5	41	21	410	0.70
GE-KDH-5	1.5	41	21	510	0.80
GE-KDH-6	1.5	41	21	610	0.90
GE-KDH-7	2.0	41	21	110	0.42
GE-KDH-8	2.0	41	21	210	0.56
GE-KDH-9	2.0	41	21	310	0.70
GE-KDH-10	2.0	41	21	410	0.84
GE-KDH-11	2.0	41	21	510	1.00
GE-KDH-12	2.0	41	21	610	1.12

GE-KDH

C channel single bracket
 C profil tekli konsol
 Консоль



Part No	T	W	A	L	Kg
GE-KDH-13	1.5	41	41	110	0.43
GE-KDH-14	1.5	41	41	210	0.58
GE-KDH-15	1.5	41	41	310	0.73
GE-KDH-16	1.5	41	41	410	0.88
GE-KDH-17	1.5	41	41	510	1.03
GE-KDH-18	1.5	41	41	610	1.18
GE-KDH-19	2.0	41	41	110	0.49
GE-KDH-20	2.0	41	41	210	0.69
GE-KDH-21	2.0	41	41	310	0.90
GE-KDH-22	2.0	41	41	410	1.10
GE-KDH-23	2.0	41	41	510	1.30
GE-KDH-24	2.0	41	41	610	1.50
GE-KDH-25	2.0	41	41	760	1.82
GE-KDH-26	2.0	41	41	910	2.12

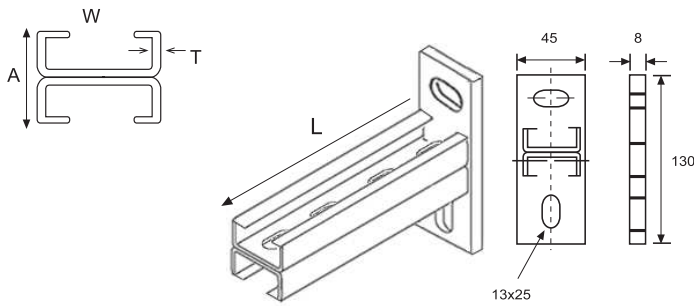
HDG **EG** **SS4** **SS6** **ESB** **APB**

Material options: Stainless steel AISI 304 (L) (A2) / AISI 316 (L) (A4), ST-37-42 Mild Steel, Corten A, Pregalvanized steel, Aluminum
 Finish options : Hot Dip Galvanized to EN 1461, Electrogalvanized to TS 149, Electrostatic Paint Coated, Prime coated
 See material & finish option charts for available product specific selections.

Support Systems

GE-KDHD

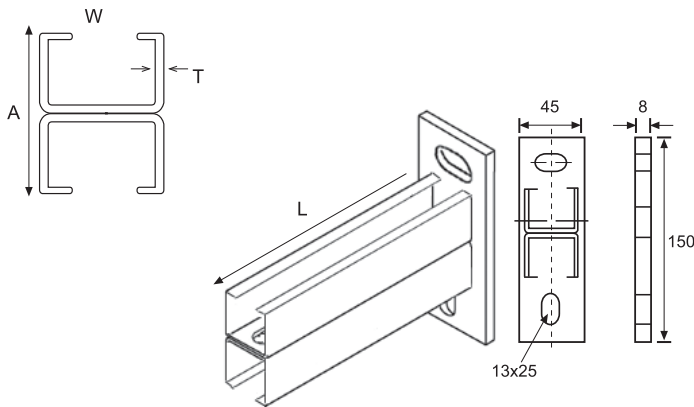
C channel bracket, back to back
 C profil çiftli konsol
 Консоль



Part No	T	W	A	L	Kg
GE-KDHD-1	1.5	41	43	110	0.59
GE-KDHD-2	1.5	41	43	210	0.80
GE-KDHD-3	1.5	41	43	310	1.00
GE-KDHD-4	1.5	41	43	410	1.22
GE-KDHD-5	1.5	41	43	510	1.43
GE-KDHD-6	1.5	41	43	610	1.64
GE-KDHD-7	2.0	41	43	110	0.66
GE-KDHD-8	2.0	41	43	210	0.94
GE-KDHD-9	2.0	41	43	310	1.22
GE-KDHD-10	2.0	41	43	410	1.50
GE-KDHD-11	2.0	41	43	510	1.78
GE-KDHD-12	2.0	41	43	610	2.06

GE-KDHD

C channel bracket, back to back
 C profil çiftli konsol
 Консоль



Part No	T	W	A	L	Kg
GE-KDH-13	1.5	41	83	110	0.73
GE-KDH-14	1.5	41	83	210	1.00
GE-KDH-15	1.5	41	83	310	1.33
GE-KDH-16	1.5	41	83	410	1.63
GE-KDH-17	1.5	41	83	510	1.95
GE-KDH-18	1.5	41	83	610	2.25
GE-KDH-19	2.0	41	83	110	0.84
GE-KDH-20	2.0	41	83	210	1.25
GE-KDH-21	2.0	41	83	310	1.66
GE-KDH-22	2.0	41	83	410	2.07
GE-KDH-23	2.0	41	83	510	2.48
GE-KDH-24	2.0	41	83	610	2.90
GE-KDH-25	2.0	41	83	760	3.50
GE-KDH-26	2.0	41	83	910	4.12

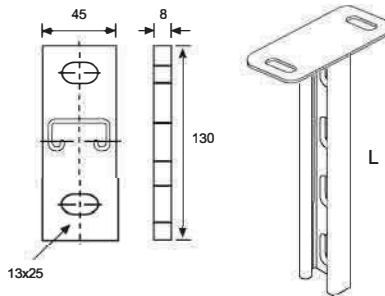
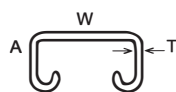
HDG EG SS4 SS6 ESB APB

Material options: Stainless steel AISI 304 (L) (A2) / AISI 316 (L) (A4), ST-37-42 Mild Steel, Corten A, Pregalvanized steel, Aluminum
 Finish options : Hot Dip Galvanized to EN 1461, Electrogalvanized to TS 149, Electrostatic Paint Coated, Prime coated
 See material & finish option charts for available product specific selections.

Support Systems

GE-TA-5

Ceiling bracket
 Tavan askı
 Потолочная консоль

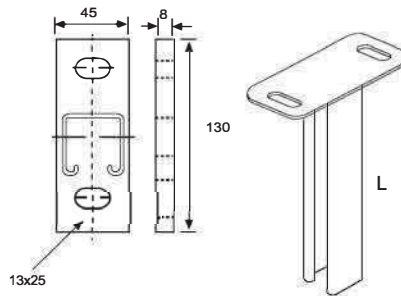
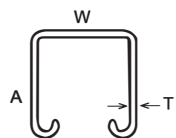


Part No	T	W	A	L	Kg
GE-TA-5-1	2	41	21	500	1.07
GE-TA-5-2	2	41	21	750	1.42
GE-TA-5-3	2	41	21	1000	1.77
GE-TA-5-4	2	41	21	1250	2.12

HDG EG SS4 SS6 ESB APB

GE-TA-6

Ceiling bracket
 Tavan askı
 Потолочная консоль

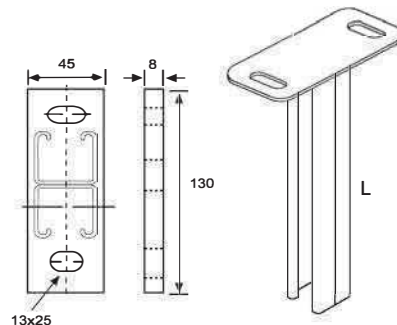
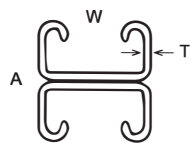


Part No	T	W	A	L	Kg
GE-TA-6-1	2	41	41	500	1.37
GE-TA-6-2	2	41	41	750	1.87
GE-TA-6-3	2	41	41	1000	2.37
GE-TA-6-4	2	41	41	1250	2.87

HDG EG SS4 SS6 ESB APB

GE-TA-7

Ceiling bracket
 Tavan askı
 Потолочная консоль

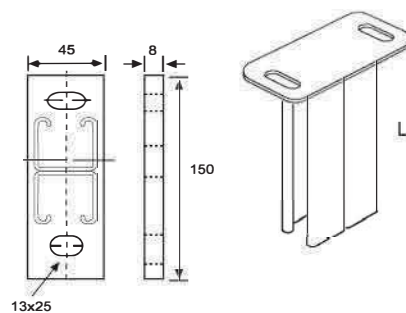
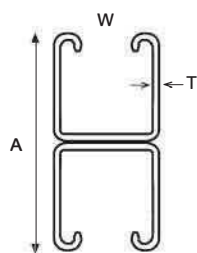


Part No	T	W	A	L	Kg
GE-TA-7-1	2	41	43	500	1.77
GE-TA-7-2	2	41	43	750	2.47
GE-TA-7-3	2	41	43	1000	3.17
GE-TA-7-4	2	41	43	1250	3.87
GE-TA-7-5	2	41	43	1500	4.57
GE-TA-7-6	2	41	43	2000	5.97

HDG EG SS4 SS6 ESB APB

GE-TA-8

Ceiling bracket
 Tavan askı
 Потолочная консоль



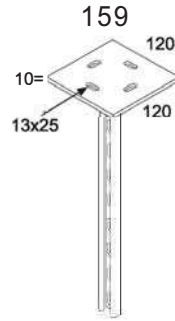
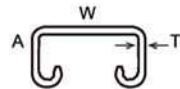
Part No	T	W	A	L	Kg
GE-TA8-1	2	41	83	500	2.37
GE-TA8-2	2	41	83	750	3.37
GE-TA8-3	2	41	83	1000	4.37
GE-TA8-4	2	41	83	1250	5.37
GE-TA8-5	2	41	83	1500	6.37
GE-TA8-6	2	41	83	2000	8.37

HDG EG SS4 SS6 ESB APB

Material options: Stainless steel AISI 304 (L) (A2) / AISI 316 (L) (A4), ST-37-42 Mild Steel, Corten A, Pregalvanized steel, Aluminum
 Finish options : Hot Dip Galvanized to EN 1461, Electrogalvanized to TS 149, Electrostatic Paint Coated, Prime coated
 See material & finish option charts for available product specific selections.

Support Systems

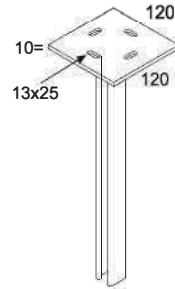
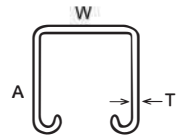
GE-TA-9
 Ceiling bracket
 Tavan askı
 Потолочная консоль



Part No	T	W	A	L	Kg
GE-TA-9-1	2	41	21	500	2.02
GE-TA-9-2	2	41	21	750	2.50
GE-TA-9-3	2	41	21	1000	3.00
GE-TA-9-4	2	41	21	1250	3.50

(HDG) (EG) (SS4) (SS6) (ESB) (APB)

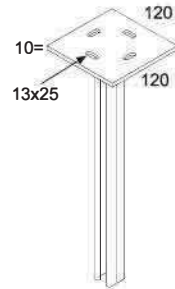
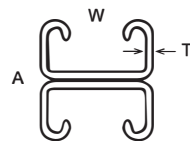
GE-TA-10
 Ceiling bracket
 Tavan askı
 Потолочная консоль



Part No	T	W	A	L	Kg
GE-TA-10-1	2	41	41	500	2.50
GE-TA-10-2	2	41	41	750	3.10
GE-TA-10-3	2	41	41	1000	3.70
GE-TA-10-4	2	41	41	1250	4.30

(HDG) (EG) (SS4) (SS6) (ESB) (APB)

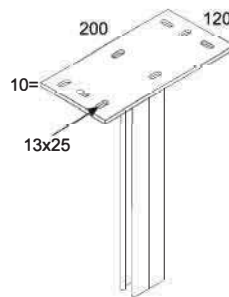
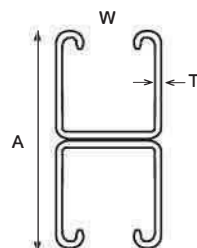
GE-TA-11
 Ceiling bracket
 Tavan askı
 Потолочная консоль



Part No	T	W	A	L	Kg
GE-TA-11-1	2	41	43	500	2.88
GE-TA-11-2	2	41	43	750	3.82
GE-TA-11-3	2	41	43	1000	4.76
GE-TA-11-4	2	41	43	1250	5.68
GE-TA-11-5	2	41	43	1500	6.64
GE-TA-11-6	2	41	43	2000	8.52

(HDG) (EG) (SS4) (SS6) (ESB) (APB)

GE-TA-12
 Ceiling bracket
 Tavan askı
 Потолочная консоль



Part No	T	W	A	L	Kg
GE-TA-12-1	2	41	83	500	4.50
GE-TA-12-2	2	41	83	750	6.25
GE-TA-12-3	2	41	83	1000	7.10
GE-TA-12-4	2	41	83	1250	7.95
GE-TA-12-5	2	41	83	1500	9.80
GE-TA-12-6	2	41	83	2000	12.50

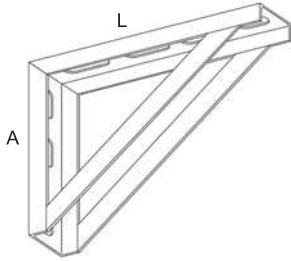
(HDG) (EG) (SS4) (SS6) (ESB) (APB)

Material options: Stainless steel AISI 304 (L) (A2) / AISI 316 (L) (A4), ST-37-42 Mild Steel, Corten A, Pregalvanized steel, Aluminum
 Finish options : Hot Dip Galvanized to EN 1461, Electrogalvanized to TS 149, Electrostatic Paint Coated, Prime coated
 See material & finish option charts for available product specific selections.

Support Systems

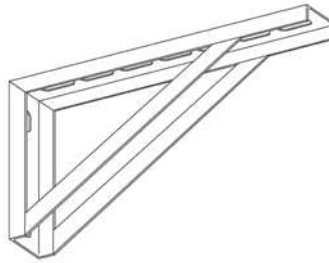
GE-BRCC-1

Custom bracket
 Özel konsol
 Кронштейн поддержки



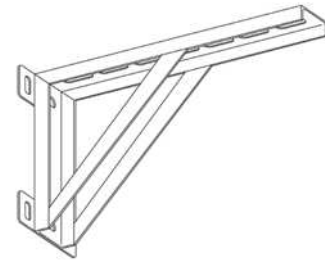
GE-BRCC-2

Custom bracket
 Özel konsol
 Кронштейн поддержки



GE-BRCC-3

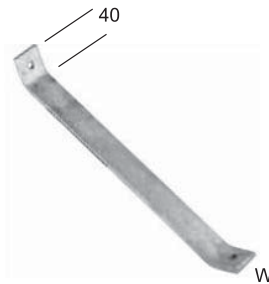
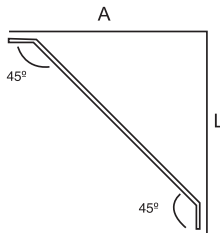
Custom bracket
 Özel konsol
 Кронштейн поддержки



HDG EG SS4 SS6 ESB APB

GE-EXTR

Support for bracket
 Konsol destek
 Кронштейн поддержки



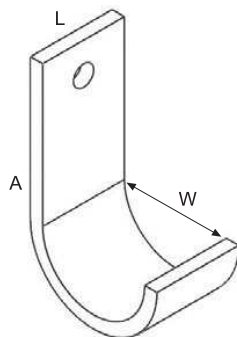
Part No	T	W	A	L	Kg
GE-EXTR-1	5	40	200	280	0.50
GE-EXTR-2	5	40	270	380	0.67
GE-EXTR-3	5	40	350	495	0.86

HDG EG SS4 SS6 ESB APB



GE-HBR

Hook bracket
 Kanca tipi konsol
 Консоль



Part No	T	W	A	L	Kg
GE-HBR-10	3	25	100	40	0.30
GE-HBR-20	6	25	100	40	0.60
GE-HBR-30	6	50	100	40	

HDG EG SS4 SS6 ESB APB

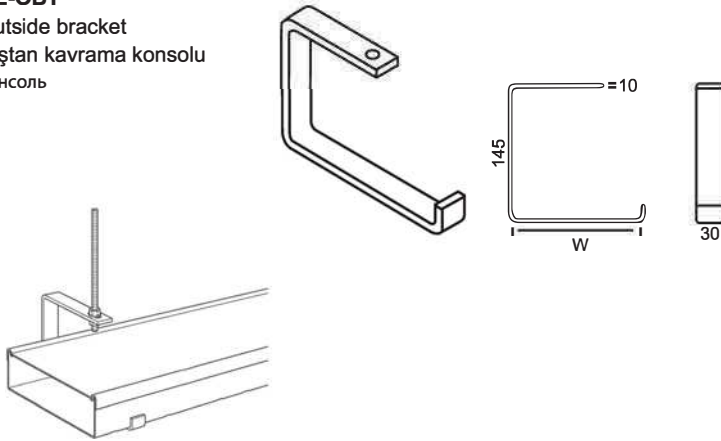


Material options: Stainless steel AISI 304 (L) (A2) / AISI 316 (L) (A4), ST-37-42 Mild Steel, Corten A, Pregalvanized steel, Aluminum
 Finish options : Hot Dip Galvanized to EN 1461, Electrogalvanized to TS 149, Electrostatic Paint Coated, Prime coated
 See material & finish option charts for available product specific selections.

Support Systems

GE-OBT

Outside bracket
 Dıştan kavrama konsolu
 Консоль

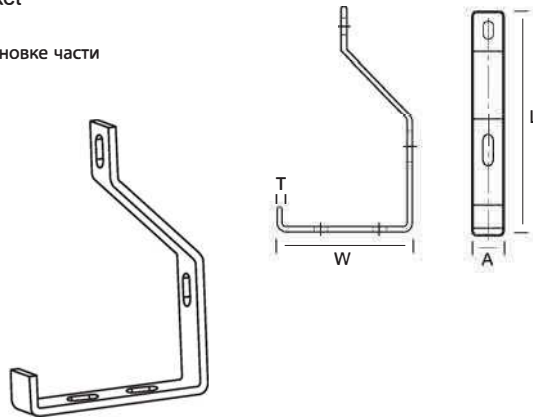


Part No	T	W	A	L	Kg
GE-OBT-50	10	50	145	30	0.50
GE-OBT-70	10	70	145	30	0.56
GE-OBT-100	10	100	145	30	0.75
GE-OBT-120	10	120	145	30	0.80
GE-OBT-150	10	150	145	30	0.90
GE-OBT-200	10	200	145	30	1.15
GE-OBT-250	10	250	145	30	1.35
GE-OBT-300	10	300	145	30	1.50

(HDG) (EG) (SS4) (SS6) (ESB) (APB)

GE-AE-9

Hanger bracket
 Askı elemanı
 Лоток при установке части



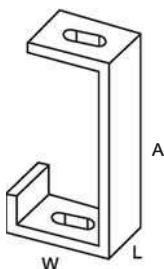
Part No	T	W	A	L	Kg
GE-AE-9-1	4	50	25	180	0.25
GE-AE-9-2	4	100	25	180	0.28
GE-AE-9-3	4	150	25	180	0.31
GE-AE-9-4	4	200	25	180	0.34

(HDG) (EG) (SS4) (SS6) (ESB) (APB)

Used as support bracket on structural concrete beams.
 Kiriş altı bağlantılarda destek konsolu olarak kullanılır.
 В балке используется при сборке

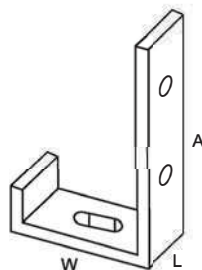
GE-CBR

Ceiling bracket
 Tavan konsolu
 Консоль



GE-WBR

Wall bracket
 Duvar konsolu
 Консоль



Part No	T	W	A	L	Kg
GE-CBR-20	5	60	100	30	0.25
GE-CBR-30	5	80	100	30	0.30
GE-CBR-50	5	110	100	30	0.35
GE-WBR-50	5	60	100	30	0.20
GE-WBR-70	5	80	100	30	0.23
GE-WBR-100	5	110	100	30	0.26
GE-WBR-150	5	160	100	30	0.32

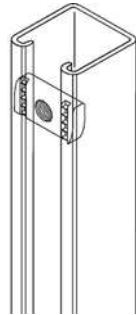
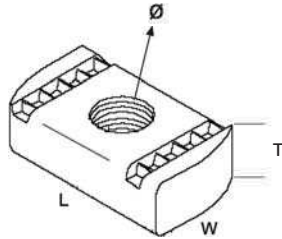
(HDG) (EG) (SS4) (SS6) (ESB) (APB)

Material options: Stainless steel AISI 304 (L) (A2) / AISI 316 (L) (A4), ST-37-42 Mild Steel, Corten A, Pregalvanized steel, Aluminum
 Finish options : Hot Dip Galvanized to EN 1461, Electrogalvanized to TS 149, Electrostatic Paint Coated, Prime coated
 See material & finish option charts for available product specific selections.

Support Systems

GE-CKSL

Short nut, springless
 Kilitli somun, yayısız
 неподдрессоренный гайка

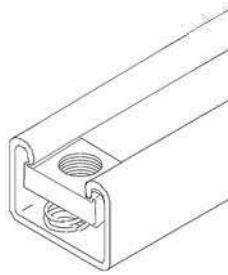
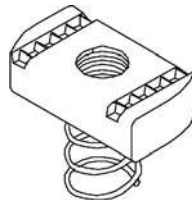


Part No	T	W	Ø	L	Kg
GE-CKSL-1	6	20	M6	35	0.027
GE-CKSL-2	6	20	M8	35	0.027
GE-CKSL-3	6	20	M10	35	0.027
GE-CKSL-4	6	20	M12	35	0.027
GE-CKSL-5	8	20	M6	35	0.037
GE-CKSL-6	8	20	M8	35	0.037
GE-CKSL-7	8	20	M10	35	0.037
GE-CKSL-8	8	20	M12	35	0.037

EG SS4 SS6

GE-CKSK

Spring nut, short
 Yaylı somun, kısa
 Весна гайка

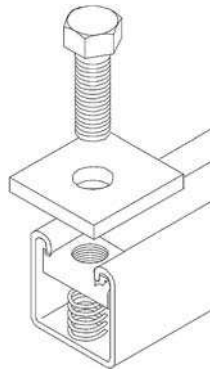
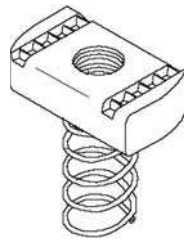


Part No	T	W	Ø	L	Kg
GE-CKSK-1	6	20	M6	35	0.030
GE-CKSK-2	6	20	M8	35	0.030
GE-CKSK-3	6	20	M10	35	0.030
GE-CKSK-4	6	20	M12	35	0.030
GE-CKSK-5	8	20	M6	35	0.040
GE-CKSK-6	8	20	M8	35	0.040
GE-CKSK-7	8	20	M10	35	0.040
GE-CKSK-8	8	20	M12	35	0.040

EG SS4 SS6

GE-CKSO

Spring nut
 Yaylı somun
 Весна гайка

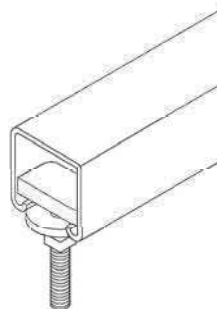
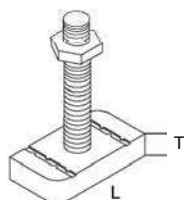


Part No	T	W	Ø	L	Kg
GE-CKSO-1	6	20	M6	35	0.035
GE-CKSO-2	6	20	M8	35	0.035
GE-CKSO-3	6	20	M10	35	0.035
GE-CKSO-4	6	20	M12	35	0.035
GE-CKSO-5	8	20	M6	35	0.045
GE-CKSO-6	8	20	M8	35	0.045
GE-CKSO-7	8	20	M10	35	0.045
GE-CKSO-8	8	20	M12	35	0.045

EG SS4 SS6

GE-CKST

T bolt
 T civata
 Болтов



Part No	T	W	Size	L	Kg
GE-CKST-6	6	20	M6x40	35	0.040
GE-CKST-8	6	20	M8x40	35	0.045
GE-CKST-10	8	20	M10x40	35	0.070
GE-CKST-12	8	20	M12x40	35	0.080

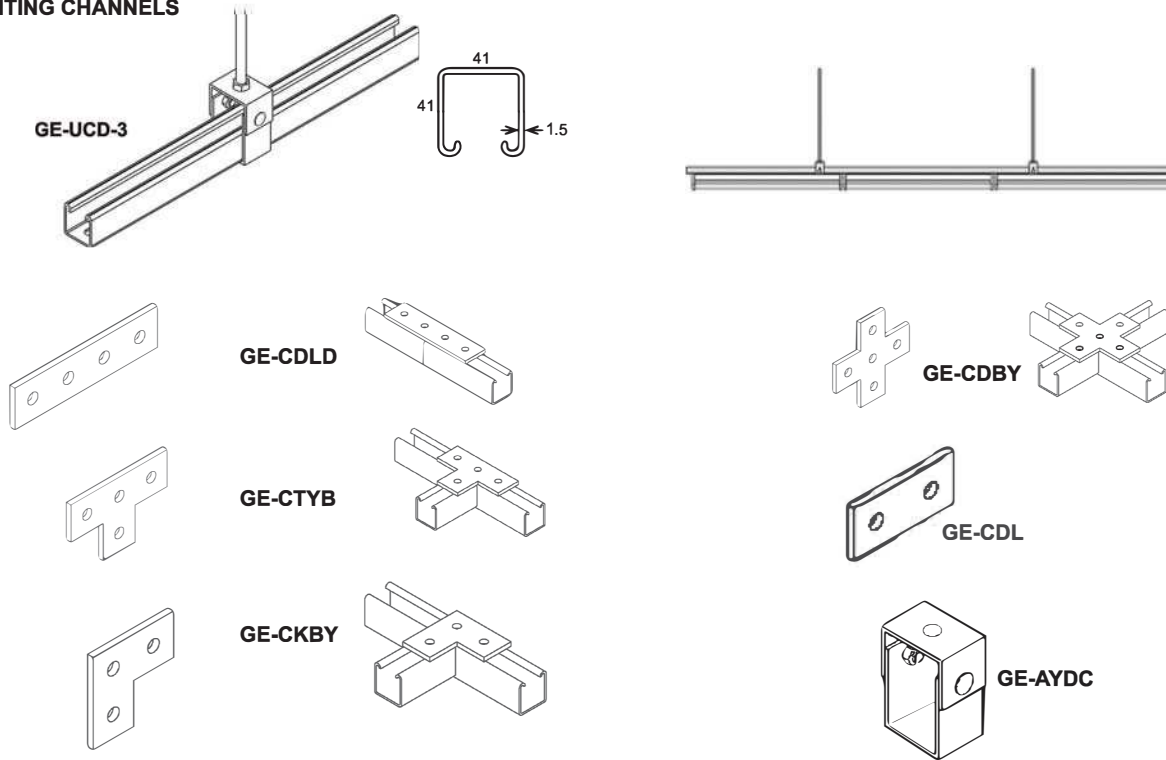
EG SS4 SS6

L : 50mm standard, also 40mm / 60mm / 70mm / 80mm upon request.

Material options: Stainless steel AISI 304 (L) (A2) / AISI 316 (L) (A4), ST-37-42 Mild Steel, Corten A, Pregalvanized steel, Aluminum
 Finish options : Hot Dip Galvanized to EN 1461, Electrogalvanized to TS 149, Electrostatic Paint Coated, Prime coated
 See material & finish option charts for available product specific selections.

Support Systems

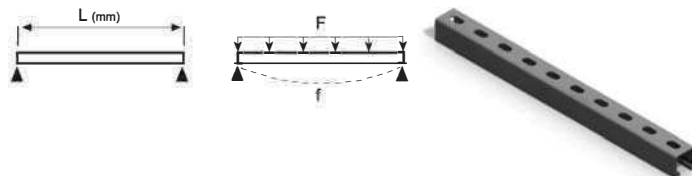
LIGHTING CHANNELS



RECOMMENDED LOADS FOR STRUT CHANNELS

Span (mm)	41x21x2.0	41x21x2.5	41x21x2.5	41x41x2.0	41x41x2.5	41x41x2.5	41x21x2.0	41x21x2.5	41x41x2.0	41x41x2.5
	Perforated	Perforated	non-perforated	Perforated	Perforated	non-perforated	Back-to-back	Back-to-back	Back-to-back	Back-to-back
500	210	250	270	640	780	825	610	750	1820	2300
750	105	120	145	430	520	555	415	500	1250	1500
1000	55	65	80	320	390	410	310	375	950	1100
1250	35	40	50	215	265	305	205	245	760	980
1500	25	30	35	150	180	210	140	170	635	750
1750	15	20	25	110	135	155	105	125	540	650
2000	15	15	20	80	100	120	80	95	475	570
2250	10	12	15	65	80	95	60	75	385	475
2500	10	10	10	55	65	75	50	60	315	385
2750	8	9	10	45	55	60	40	50	260	320
3000	7	8	8	35	45	50	35	40	215	265

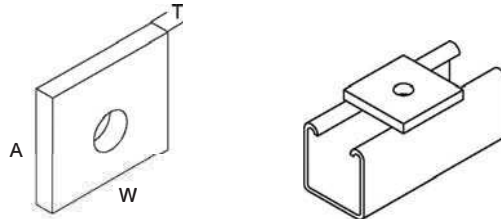
Uniformly distributed load on 2 supports
 Maximum deflection at 1/100 span
 Stress: 160 N/mm²
 Limit of elasticity: 21 kPa



Material options: Stainless steel AISI 304 (L) (A2) / AISI 316 (L) (A4), ST-37-42 Mild Steel, Corten A, Pregalvanized steel, Aluminum
 Finish options : Hot Dip Galvanized to EN 1461, Electrogalvanized to TS 149, Electrostatic Paint Coated, Prime coated
 See material & finish option charts for available product specific selections.

Support Systems

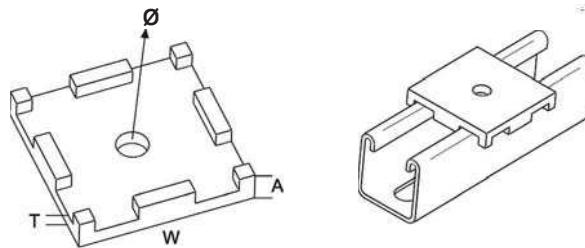
GE-CKTB



Part No	T	W	A	Kg
GE-CKTB-1	5	41	41	0.07
GE-CKTB-2	3	41	41	0.04

HDG EG SS4 SS6 ESB APB

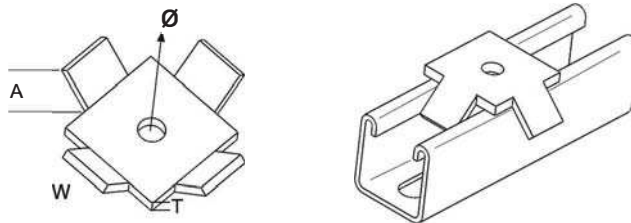
GE-CKTK-D



Part No	T	W	A	∅	Kg
GE-CKTK-D	5	57	11	13	0.17

HDG EG SS4 SS6 ESB APB

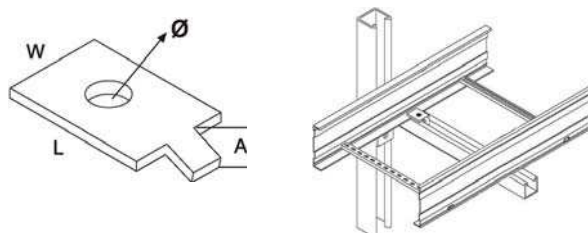
GE-CKTK-P



Part No	T	W	A	∅	Kg
GE-CKTK-P	5	67	18	13	0.13

HDG EG SS4 SS6 ESB APB

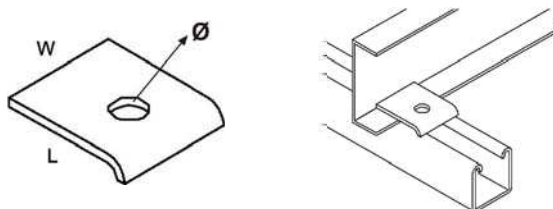
GE-CMTE



Part No	T	W	A	L	∅	Kg
GE-CMTE	5	42	10	50	13	0.085

HDG EG SS4 SS6 ESB APB

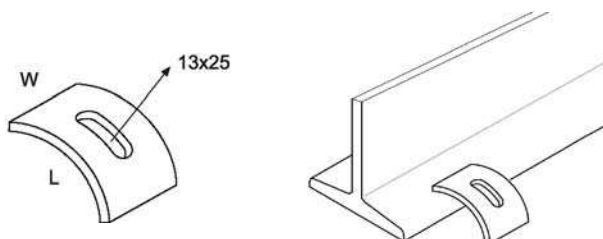
GE-CDTE



Part No	T	W	L	∅	Kg
GE-CDTE	3	42	46	13	0.045

HDG EG SS4 SS6 ESB APB

GE-CYTE



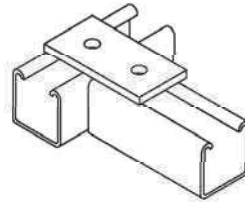
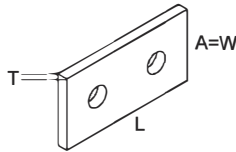
Part No	T	W	L	Kg
GE-CYTE	5	40	60	0.093

HDG EG SS4 SS6 ESB APB

Material options: Stainless steel AISI 304 (L) (A2) / AISI 316 (L) (A4), ST-37-42 Mild Steel, Corten A, Pregalvanized steel, Aluminum
 Finish options : Hot Dip Galvanized to EN 1461, Electrogalvanized to TS 149, Electrostatic Paint Coated, Prime coated
 See material & finish option charts for available product specific selections.

Support Systems

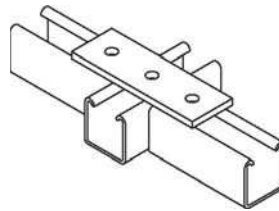
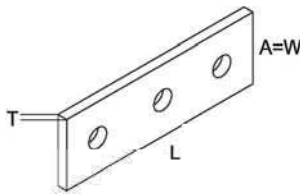
GE-CDL



Part No	T	W	A	L	Kg
GE-CDL	5	42	42	84	0.15

(HDG) (EG) (SS4) (SS6) (ESB) (APB)

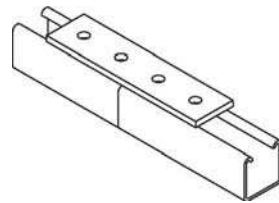
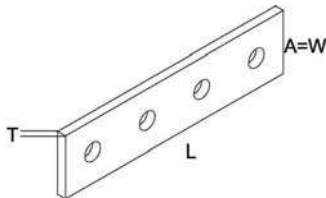
GE-CDLS



Part No	T	W	A	L	Kg
GE-CDLS	5	42	42	125	0.22

(HDG) (EG) (SS4) (SS6) (ESB) (APB)

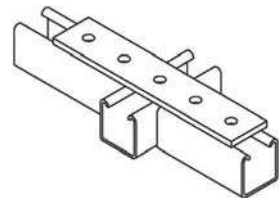
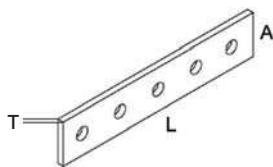
GE-CDLD



Part No	T	W	A	L	Kg
GE-CDLD	5	42	42	150	0.25

(HDG) (EG) (SS4) (SS6) (ESB) (APB)

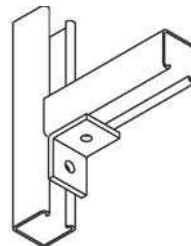
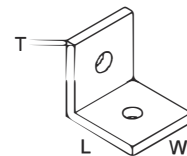
GE-CDLF



Part No	T	W	A	L	Kg
GE-CDLF	5	42	42	210	0.35

(HDG) (EG) (SS4) (SS6) (ESB) (APB)

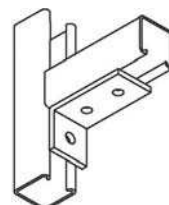
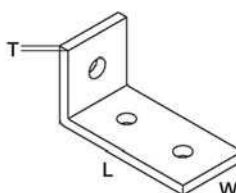
GE-CLTB



Part No	T	W	A	L	Kg
GE-CLTB	5	42	48	48	0.17

(HDG) (EG) (SS4) (SS6) (ESB) (APB)

GE-CLIT



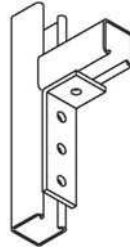
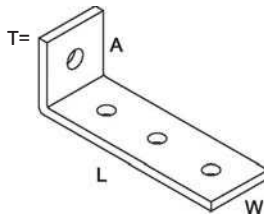
Part No	T	W	A	L	Kg
GE-CLIT	5	42	42	90	0.22

(HDG) (EG) (SS4) (SS6) (ESB) (APB)

Material options: Stainless steel AISI 304 (L) (A2) / AISI 316 (L) (A4), ST-37-42 Mild Steel, Corten A, Pregalvanized steel, Aluminum
 Finish options : Hot Dip Galvanized to EN 1461, Electrogalvanized to TS 149, Electrostatic Paint Coated, Prime coated
 See material & finish option charts for available product specific selections.

Support Systems

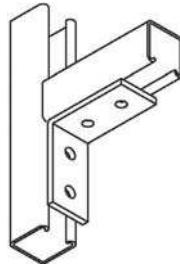
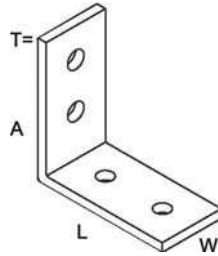
GE-CLUB



Part No	T	W	A	L	Kg
GE-CLUB	5	42	42	120	0.27

HDG EG SS4 SS6 ESB APB

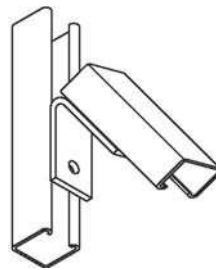
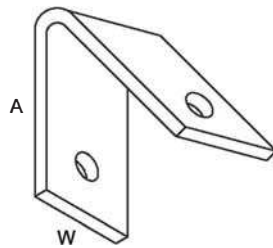
GE-CKBD



Part No	T	W	A	L	Kg
GE-CKBD	5	42	80	80	0.25

HDG EG SS4 SS6 ESB APB

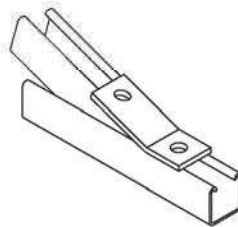
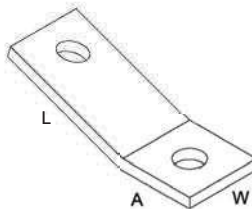
GE-CABD



Part No	T	W	A	L	Kg
GE-CABD	5	42	75	75	0.25

HDG EG SS4 SS6 ESB APB

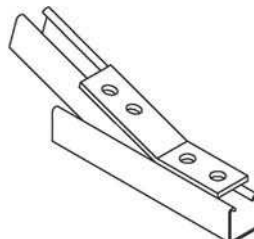
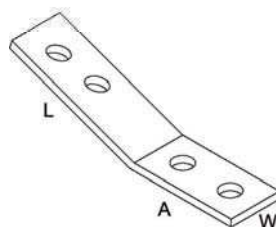
GE-CABI



Part No	T	W	L	Kg
GE-CABI	5	42	129	0.22

HDG EG SS4 SS6 ESB APB

GE-CABG



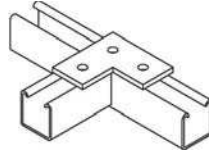
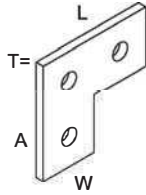
Part No	T	W	L	Kg
GE-CABG	5	42	180	0.30

HDG EG SS4 SS6 ESB APB

Material options: Stainless steel AISI 304 (L) (A2) / AISI 316 (L) (A4), ST-37-42 Mild Steel, Corten A, Pregalvanized steel, Aluminum
 Finish options : Hot Dip Galvanized to EN 1461, Electrogalvanized to TS 149, Electrostatic Paint Coated, Prime coated
 See material & finish option charts for available product specific selections.

Support Systems

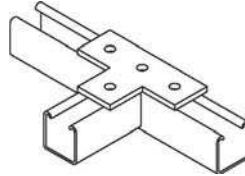
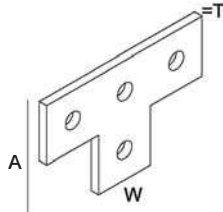
GE-CKBY



Part No	T	W	A	L	Kg
GE-CKBY	5	42	80	80	0.20

HDG EG SS4 SS6 ESB APB

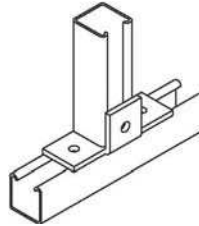
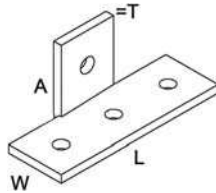
GE-CTYB



Part No	T	W	A	L	Kg
GE-CTYB	5	42	90	125	0.30

HDG EG SS4 SS6 ESB APB

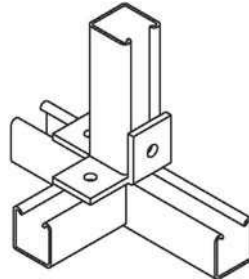
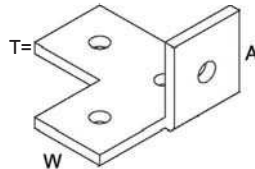
GE-CTDB



Part No	T	W	A	L	Kg
GE-CTDB	5	42	50	125	0.30

HDG EG SS4 SS6 ESB APB

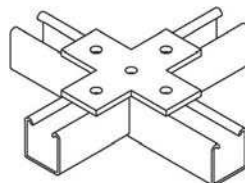
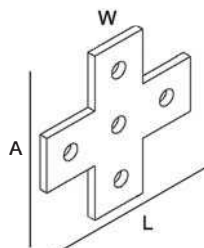
GE-CTTD



Part No	T	W	A	L	Kg
GE-CTTD	5	42	50	90	0.30

HDG EG SS4 SS6 ESB APB

GE-CDBY



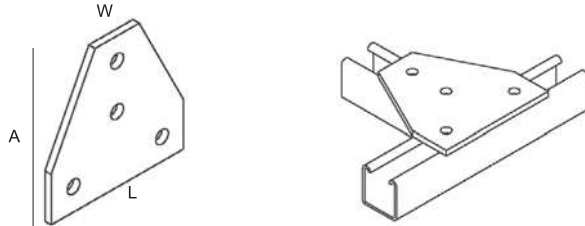
Part No	T	W	A	L	Kg
GE-CDBY	5	42	125	125	0.35

HDG EG SS4 SS6 ESB APB

Material options: Stainless steel AISI 304 (L) (A2) / AISI 316 (L) (A4), ST-37-42 Mild Steel, Corten A, Pregalvanized steel, Aluminum
 Finish options : Hot Dip Galvanized to EN 1461, Electrogalvanized to TS 149, Electrostatic Paint Coated, Prime coated
 See material & finish option charts for available product specific selections.

Support Systems

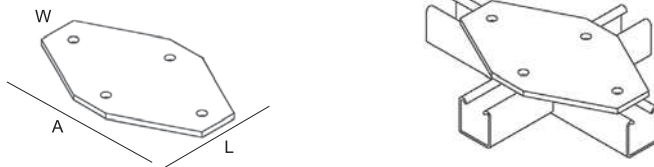
GE-CTGY



Part No	T	W	A	L	Kg
GE-CTGY	5	42	136	90	0.40

HDG EG SS4 SS6 ESB APB

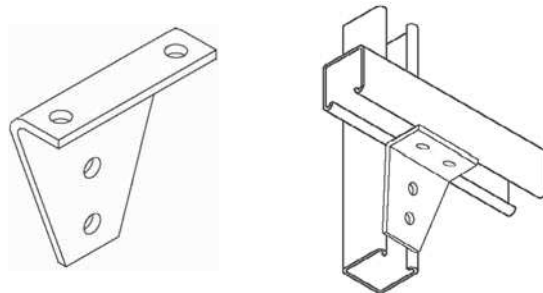
GE-CGDB



Part No	T	W	A	L	Kg
GE-CGDB	5	42	136	90	0.48

HDG EG SS4 SS6 ESB APB

GE-CUKB

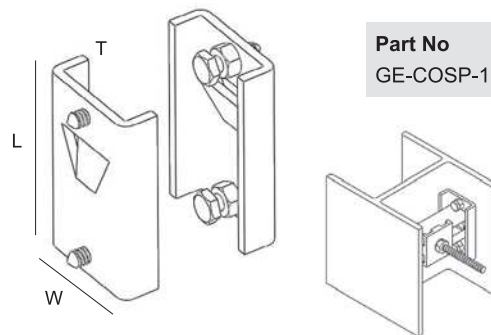


Part No	T	W	A	L	Kg
GE-CUKB	5	42	120	120	0.50

HDG EG SS4 SS6 ESB APB

GE-COSP

Channel clamping set (column support)
 Profil başlama kelepçesi
 Профиль фитинги



Part No	T	Channel type	W	L	Kg
GE-COSP-1	5	41x41x2.5mm	62	100	0.95

Supplied with bolts and nuts assembled.

HDG EG SS4 SS6 ESB APB

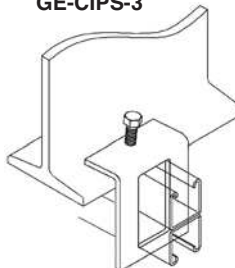
GE-CIPS-1



GE-CIPS-2



GE-CIPS-3

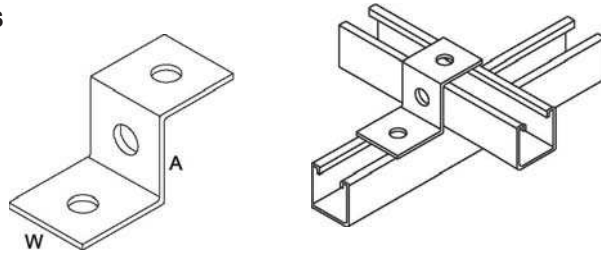


Part No	T	W	A	Kg
GE-CIPS-1	5	90	70	0,40
GE-CIPS-2	5	90	90	0,44
GE-CIPS-3	5	90	131	0,44

Material options: Stainless steel AISI 304 (L) (A2) / AISI 316 (L) (A4), ST-37-42 Mild Steel, Corten A, Pregalvanized steel, Aluminum
 Finish options : Hot Dip Galvanized to EN 1461, Electrogalvanized to TS 149, Electrostatic Paint Coated, Prime coated
 See material & finish option charts for available product specific selections.

Support Systems

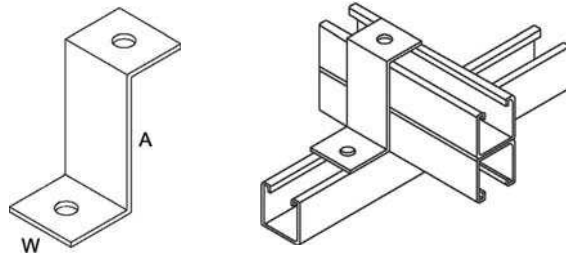
GE-CZBS



Part No	T	W	A	L	Kg
GE-CZBS	5	42	46	94	0.22

HDG EG SS4 SS6 ESB APB

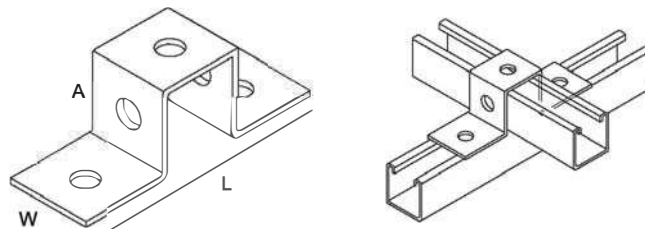
GE-CZBD



Part No	T	W	A	L	Kg
GE-CZBD	5	42	87	94	0.28

HDG EG SS4 SS6 ESB APB

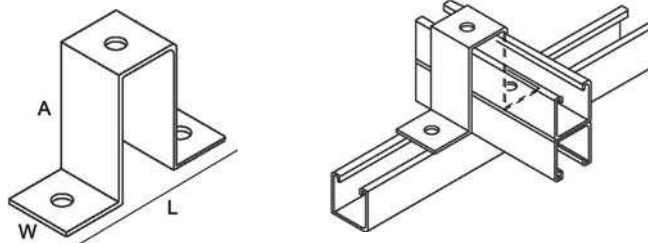
GE-COTB



Part No	T	W	A	L	Kg
GE-COTB	5	42	46	130	0.36

HDG EG SS4 SS6 ESB APB

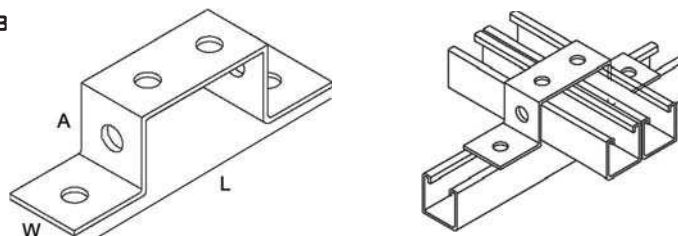
GE-COCB



Part No	T	W	A	L	Kg
GE-COCB	5	42	87	136	0.50

HDG EG SS4 SS6 ESB APB

GE-COGB



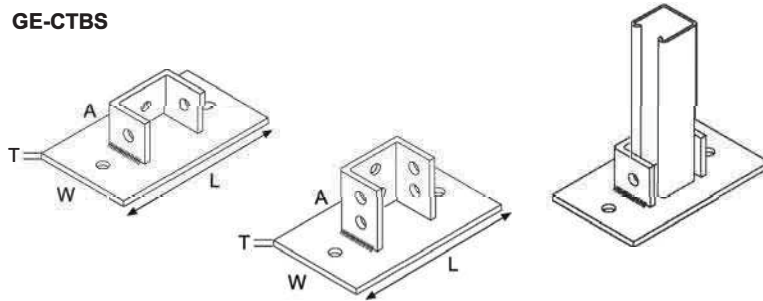
Part No	T	W	A	L	Kg
GE-COGB	5	42	46	172	0.43

HDG EG SS4 SS6 ESB APB

Material options: Stainless steel AISI 304 (L) (A2) / AISI 316 (L) (A4), ST-37-42 Mild Steel, Corten A, Pregalvanized steel, Aluminum
 Finish options : Hot Dip Galvanized to EN 1461, Electrogalvanized to TS 149, Electrostatic Paint Coated, Prime coated
 See material & finish option charts for available product specific selections.

Support Systems

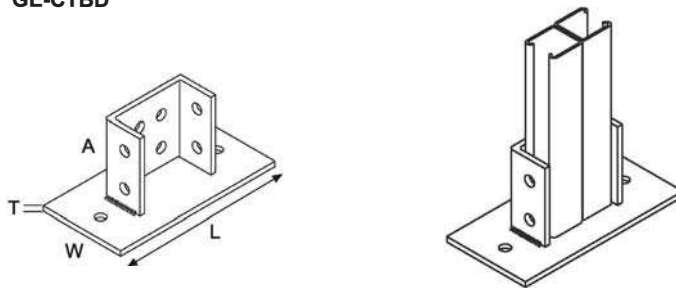
GE-CTBS



Part No	T	W	A	L	Kg
GE-CTBS-1	5	100	40	140	0.76
GE-CTBS-2	5	100	89	160	1.11

HDG EG SS4 SS6 ESB APB

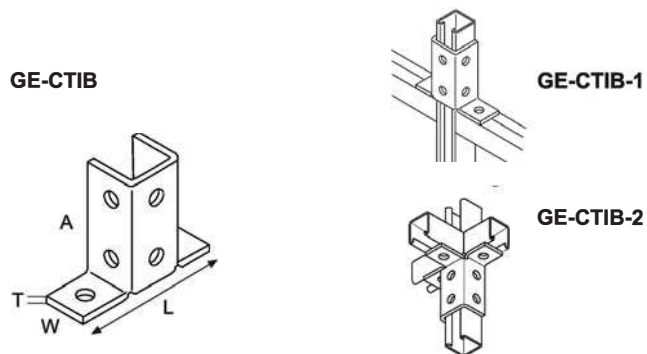
GE-CTBD



Part No	T	W	A	L	Kg
GE-CTBD	5	100	100	200	1.50

HDG EG SS4 SS6 ESB APB

GE-CTIB



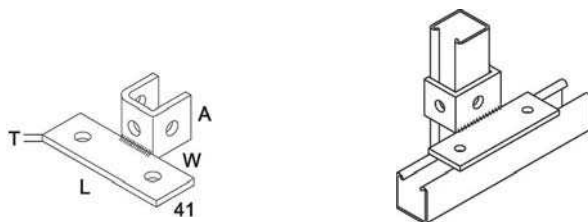
GE-CTIB-1

Part No	T	W	A	L	Kg
GE-CTIB-1	5	41	98	137	0.60
GE-CTIB-2	5	41	98	137	0.70

GE-CTIB-2

HDG EG SS4 SS6 ESB APB

GE-CKBP



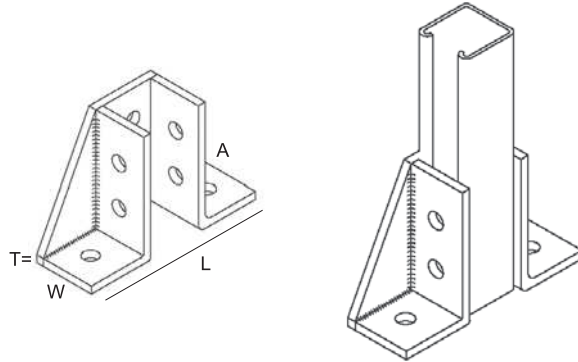
Part No	T	W	A	L	Kg
GE-CKBP	5	47	41	126	0.45

HDG EG SS4 SS6 ESB APB

Material options: Stainless steel AISI 304 (L) (A2) / AISI 316 (L) (A4), ST-37-42 Mild Steel, Corten A, Pregalvanized steel, Aluminum
 Finish options : Hot Dip Galvanized to EN 1461, Electrogalvanized to TS 149, Electrostatic Paint Coated, Prime coated
 See material & finish option charts for available product specific selections.

Support Systems

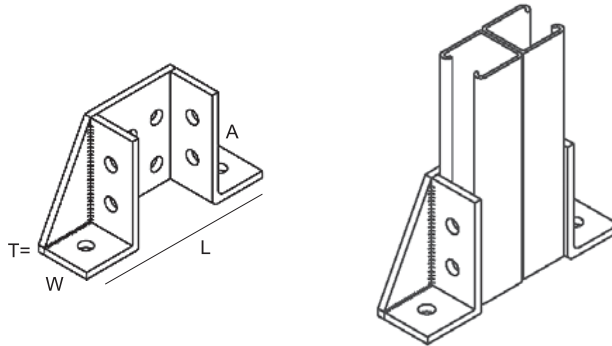
GE-CTDK



Part No	T	W	A	L	Kg
GE-CTDK	5	48	120	146	1.10

HDG EG SS4 SS6 ESB APB

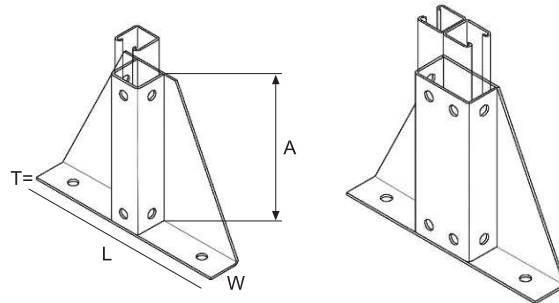
GE-CTBK



Part No	T	W	A	L	Kg
GE-CTBK	5	48	120	187	1.20

HDG EG SS4 SS6 ESB APB

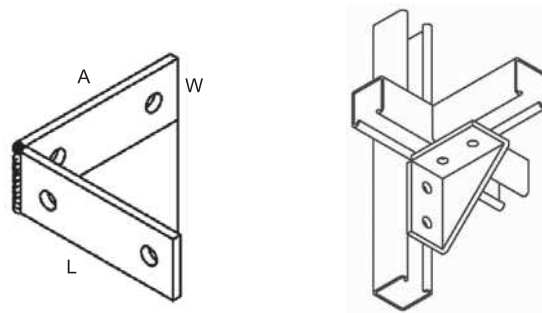
GE-CTTK



Part No	T	W	A	L	Kg
GE-CTTK-1	3	49	200	300	1.10
GE-CTTK-2	3	90	200	300	1.90

HDG EG SS4 SS6 ESB APB

GE-CKKB



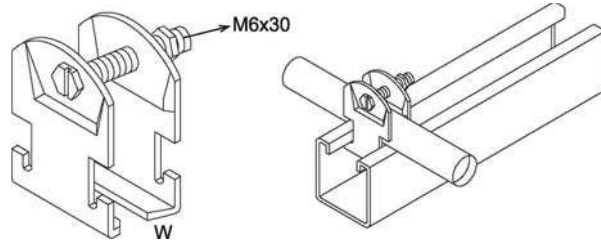
Part No	T	W	A	L	Kg
GE-CKKB	5	42	102	102	0.52

HDG EG SS4 SS6 ESB APB

Material options: Stainless steel AISI 304 (L) (A2) / AISI 316 (L) (A4), ST-37-42 Mild Steel, Corten A, Pregalvanized steel, Aluminum
 Finish options : Hot Dip Galvanized to EN 1461, Electrogalvanized to TS 149, Electrostatic Paint Coated, Prime coated
 See material & finish option charts for available product specific selections.

Support Systems

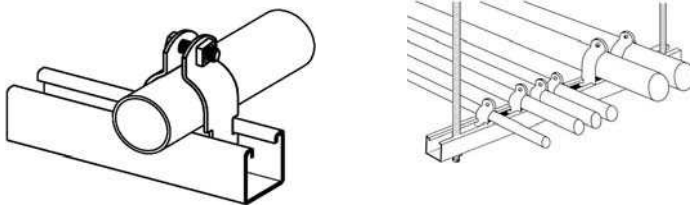
GE-CBTE



Part No	T	W	A	L	Kg
GE-CBTE-1	1.5	1/2"	-	-	0.04
GE-CBTE-2	1.5	3/4"	-	-	0.05
GE-CBTE-3	1.5	1"	-	-	0.05

HDG EG SS4 SS6 ESB APB

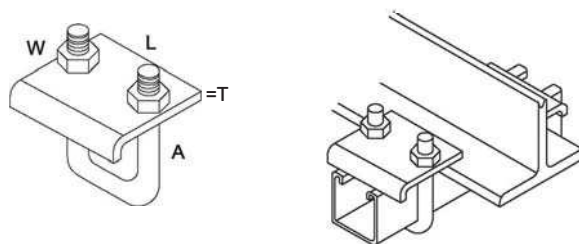
GE-CSKR



Part No	T	W	A	L	Kg
GE-CSKR-1	1.5	1/2"	-	-	0.04
GE-CSKR-2	1.5	3/4"	-	-	0.05
GE-CSKR-3	1.5	1"	-	-	0.05
GE-CSKR-4	1.5	1 1/2"	-	-	0.06

HDG EG SS4 SS6 ESB APB

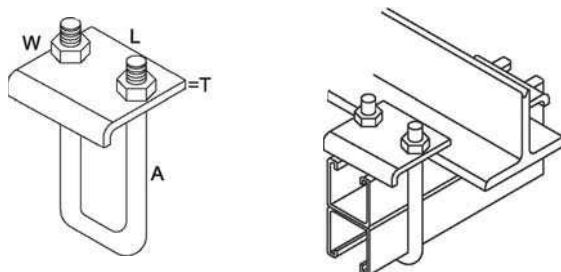
GE-CIBS



Part No	T	W	A	L	Kg
GE-CIBS	5	60	90	75	0.35

HDG EG SS4 SS6 ESB APB

GE-CIBD



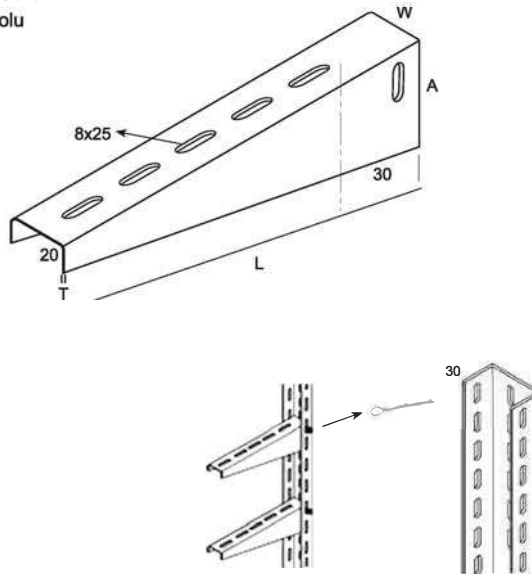
Part No	T	W	A	L	Kg
GE-CIBD	5	60	125	75	0.38

HDG EG SS4 SS6 ESB APB

Material options: Stainless steel AISI 304 (L) (A2) / AISI 316 (L) (A4), ST-37-42 Mild Steel, Corten A, Pregalvanized steel, Aluminum
 Finish options : Hot Dip Galvanized to EN 1461, Electrogalvanized to TS 149, Electrostatic Paint Coated, Prime coated
 See material & finish option charts for available product specific selections.

Support Systems

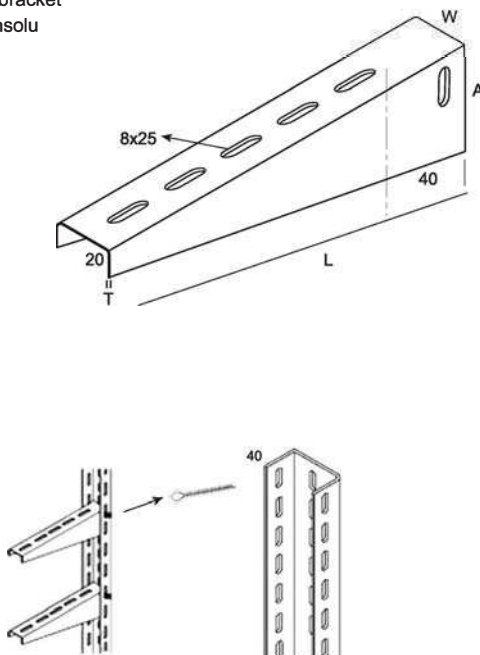
GE-KA
 Hanger bracket
 Askı konsolu
 Консоль



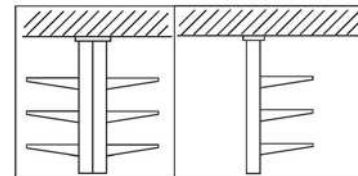
Part No	T	W	A	L	Kg
GE-KA-5	1.5	40	60	80	0.11
GE-KA-7	1.5	40	60	100	0.14
GE-KA-10	1.5	40	60	130	0.18
GE-KA-12	1.5	40	60	150	0.22
GE-KA-15	1.5	40	60	180	0.25
GE-KA-20	1.5	40	60	230	0.32
GE-KA-22	1.5	40	60	255	0.35
GE-KA-25	1.5	40	60	280	0.38
GE-KA-30	1.5	40	60	330	0.45
GE-KA-40	2.0	40	75	440	0.86
GE-KA-45	2.0	40	75	480	0.96
GE-KA-50	2.0	40	75	530	1.06
GE-KA-60	2.0	40	75	630	1.20
GE-KA-75	2.0	40	75	780	1.56
GE-KA-90	2.0	40	75	930	1.86

(HDG) (PG) (EG) (SS4) (SS6) (ESB) (APB)

GE-KAA
 Hanger bracket
 Askı konsolu
 Консоль



Part No	T	W	A	L	Kg
GE-KAA-10	1.5	50	60	140	0.21
GE-KAA-15	1.5	50	60	190	0.28
GE-KAA-20	1.5	50	60	240	0.36
GE-KAA-22	1.5	50	60	265	0.40
GE-KAA-30	2.0	50	75	340	0.75
GE-KAA-40	2.0	50	75	440	0.98
GE-KAA-45	2.0	50	75	490	1.10
GE-KAA-50	2.5	50	90	540	1.64
GE-KAA-60	2.5	50	90	640	1.95
GE-KAA-75	3.0	50	90	790	2.85
GE-KAA-90	3.0	50	90	940	3.40



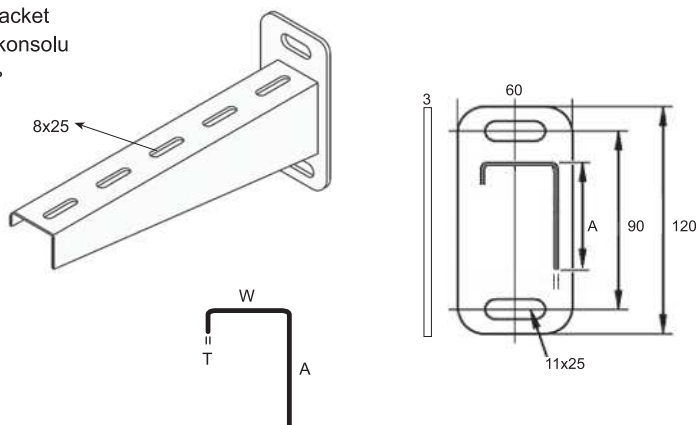
(HDG) (PG) (EG) (SS4) (SS6) (ESB) (APB)

Material options: Stainless steel AISI 304 (L) (A2) / AISI 316 (L) (A4), ST-37-42 Mild Steel, Corten A, Pregalvanized steel, Aluminum
 Finish options : Hot Dip Galvanized to EN 1461, Electrogalvanized to TS 149, Electrostatic Paint Coated, Prime coated
 See material & finish option charts for available product specific selections.

Support Systems

GE-KD

Wall bracket
 Duvar konsolu
 Консоль

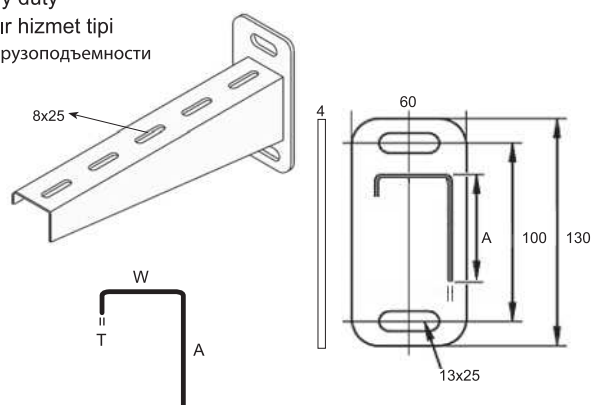


Part No	T	W	A	L	Kg
GE-KD-5	1.5	40	50	60	0.23
GE-KD-7	1.5	40	50	80	0.25
GE-KD-10	1.5	40	50	110	0.28
GE-KD-12	1.5	40	50	130	0.30
GE-KD-15	1.5	40	50	160	0.34
GE-KD-20	1.5	40	50	210	0.39
GE-KD-22	1.5	40	50	235	0.42
GE-KD-25	1.5	40	50	260	0.45
GE-KD-30	1.5	40	50	310	0.50
GE-KD-40	2.0	40	60	410	0.89
GE-KD-45	2.0	40	60	460	0.97
GE-KD-50	2.0	40	60	510	1.05
GE-KD-60	2.0	40	60	610	1.21

HDG EG SS4 SS6 ESB APB

GE-KDA

Wall bracket, heavy duty
 Duvar konsolu, ağır hizmet tipi
 Консоль , большой грузоподъемности

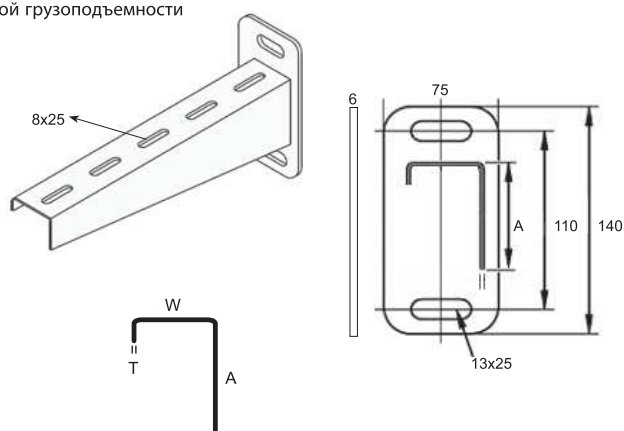


Part No	T	W	A	L	Kg
GE-KDA-10	2	40	60	110	0.41
GE-KDA-15	2	40	60	160	0.48
GE-KDA-20	2	40	60	210	0.55
GE-KDA-22	2	40	60	235	0.59
GE-KDA-25	2	40	60	260	0.63
GE-KDA-30	2	40	60	310	0.68
GE-KDA-40	2.5	50	60	410	1.15
GE-KDA-45	2.5	50	60	460	1.26
GE-KDA-50	2.5	50	60	510	1.37
GE-KDA-60	3	50	70	610	1.80
GE-KDA-75	3	50	70	760	2.15
GE-KDA-90	3	50	70	910	2.54

HDG EG SS4 SS6 ESB APB

GE-KDEA

Wall bracket, extra heavy duty
 Duvar konsolu, ekstra ağır hizmet tipi
 Консоль , большой грузоподъемности



Part No	T	W	A	L	Kg
GE-KDEA-10	2	40	60	110	0.66
GE-KDEA-15	2	40	60	160	0.73
GE-KDEA-20	2	40	60	210	0.80
GE-KDEA-22	2	40	60	235	0.84
GE-KDEA-25	2	40	60	260	0.88
GE-KDEA-30	2	40	60	310	0.93
GE-KDEA-40	2.5	50	60	410	1.40
GE-KDEA-45	2.5	50	60	460	1.51
GE-KDEA-50	2.5	50	60	510	1.62
GE-KDEA-60	3	50	70	610	2.05
GE-KDEA-75	3	50	70	760	2.40
GE-KDEA-90	3	50	70	910	2.79

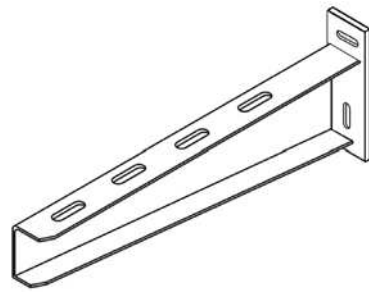
HDG EG SS4 SS6 ESB APB

Material options: Stainless steel AISI 304 (L) (A2) / AISI 316 (L) (A4), ST-37-42 Mild Steel, Corten A, Pregalvanized steel, Aluminum
 Finish options : Hot Dip Galvanized to EN 1461, Electrogalvanized to TS 149, Electrostatic Paint Coated, Prime coated
 See material & finish option charts for available product specific selections.

Support Systems

GE-KDI

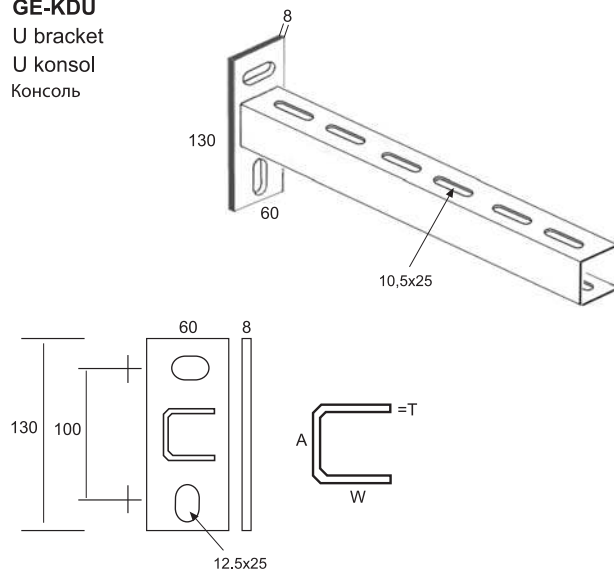
Bracket
Konsol
Консоль



Part No	T	L	Kg
GE-KPI-10	2	120	0.45
GE-KPI-15	2	170	0.60
GE-KPI-20	3	220	0.80
GE-KPI-25	3	270	0.95
GE-KPI-30	3	320	1.10
GE-KPI-40	3	420	1.30
GE-KPI-45	3	470	1.40
GE-KPI-50	3	520	1.65
GE-KPI-60	3	620	1.90
GE-KPI-75	3	770	2.25
GE-KPI-90	3	920	2.65

GE-KDU

U bracket
U konsol
Консоль



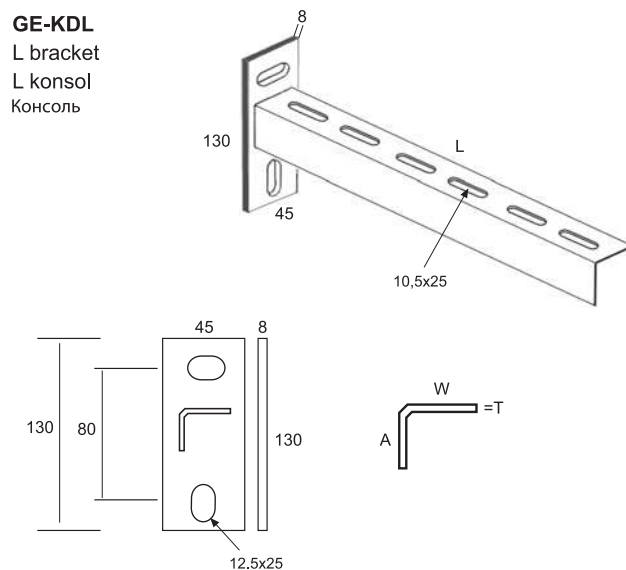
Part No	T	W	A	L	Kg
GE-KDU-1	2	30	30	110	0.63
GE-KDU-2	2	30	30	210	0.76
GE-KDU-3	2	30	30	310	0.89
GE-KDU-4	2	30	30	410	1.00
GE-KDU-5	2	30	30	510	1.15
GE-KDU-6	2	30	30	610	1.28
GE-KDU-7	2	30	30	760	1.48
GE-KDU-8	2	30	30	910	1.67
GE-KDU-9	3	40	40	110	0.76
GE-KDU-10	3	40	40	210	1.00
GE-KDU-11	3	40	40	310	1.28
GE-KDU-12	3	40	40	410	1.54
GE-KDU-13	3	40	40	510	1.80
GE-KDU-14	3	40	40	610	2.00
GE-KDU-15	3	40	40	760	2.40
GE-KDU-16	3	40	40	910	2.85
GE-KDU-17	3	40	40	1210	3.60

For HVAC installations

HDG **EG** **SS4** **SS6** **ESB** **APB**

GE-KDL

L bracket
L konsol
Консоль



Part No	T	W	A	L	Kg
GE-KDL-1	2	30	30	110	0.55
GE-KDL-2	2	30	30	210	0.65
GE-KDL-3	2	30	30	310	0.74
GE-KDL-4	2	30	30	410	0.82
GE-KDL-5	2	30	30	510	0.91
GE-KDL-6	3	40	40	610	0.55
GE-KDL-7	3	40	40	760	0.72
GE-KDL-8	3	40	40	910	0.90
GE-KDL-9	3	40	40	110	1.07
GE-KDL-10	3	40	40	210	1.25
GE-KDL-11	3	40	40	310	1.43
GE-KDL-12	3	40	40	410	1.70
GE-KDL-13	3	40	40	510	1.95
GE-KDL-14	3	40	40	610	2.48

HDG **EG** **SS4** **SS6** **ESB** **APB**

Material options: Stainless steel AISI 304 (L) (A2) / AISI 316 (L) (A4), ST-37-42 Mild Steel, Corten A, Pregalvanized steel, Aluminum
 Finish options : Hot Dip Galvanized to EN 1461, Electrogalvanized to TS 149, Electrostatic Paint Coated, Prime coated
 See material & finish option charts for available product specific selections.

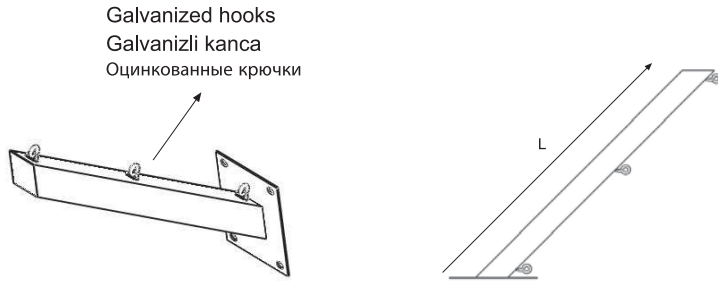
Support Systems

GE-CIK

Fence bracket

Çit konsolu

Кронштейн для провода ограждения



Part No	L
GE-CIK-20	200
GE-CIK-30	300
GE-CIK-40	400
GE-CIK-50	500
GE-CIK-60	600

HDG EG SS4 SS6 ESB APB

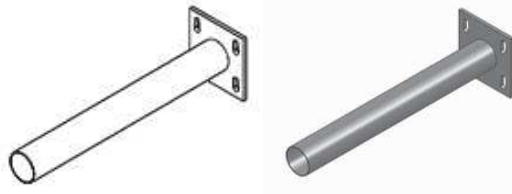
Custom production available upon request.
 İsteğe göre diğer ölçülerde üretim yapılır.
 Возможно изготовление продукции на заказ.

GE-KBT

Tubular bracket

Boru tipi konsol

Консоль



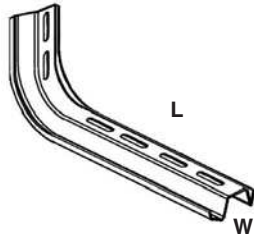
Tubular bracket with welded base plate.

Part No	L
GE-KBT-20	200
GE-KBT-30	300
GE-KBT-40	400
GE-KBT-50	500
GE-KBT-60	600

EG SS4 SS6 ESB APB

Custom production available upon request.
 İsteğe göre diğer ölçülerde üretim yapılır.
 Возможно изготовление продукции на заказ.

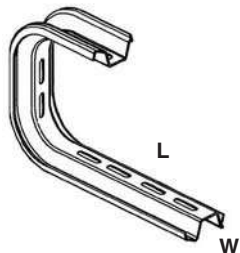
GE-KTL



Part No	T	W	L	Kg
GE-KTL-10	2	67	130	0,40
GE-KTL-20	2	67	230	0,55
GE-KTL-30	2	67	330	0,70
GE-KTL-40	2	67	430	0,85

SS4 SS6 HDG PG

GE-KTD



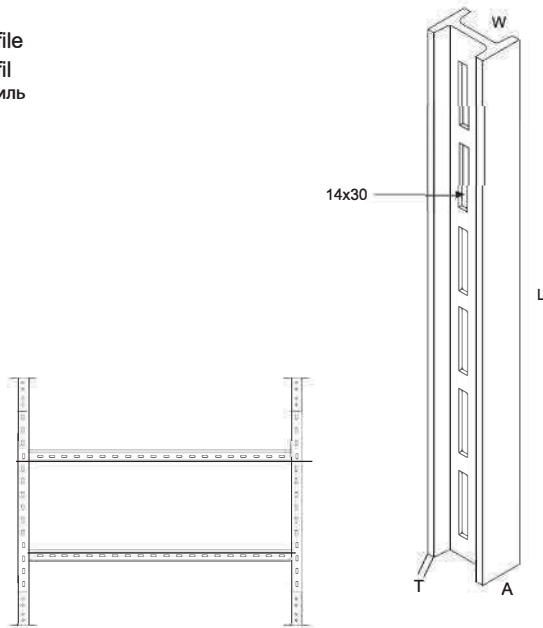
Part No	T	W	L	Kg
GE-KTD-10	2	67	130	0,45
GE-KTD-20	2	67	230	0,60
GE-KTD-30	2	67	330	0,75
GE-KTD-40	2	67	430	0,90

SS4 SS6 HDG PG

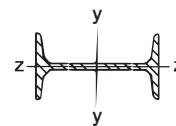
Material options: Stainless steel AISI 304 (L) (A2) / AISI 316 (L) (A4), ST-37-42 Mild Steel, Corten A, Pregalvanized steel, Aluminum
 Finish options : Hot Dip Galvanized to EN 1461, Electrogalvanized to TS 149, Electrostatic Paint Coated, Prime coated
 See material & finish option charts for available product specific selections.

Support Systems

GE-I
I Profile
I Profil
Профиль



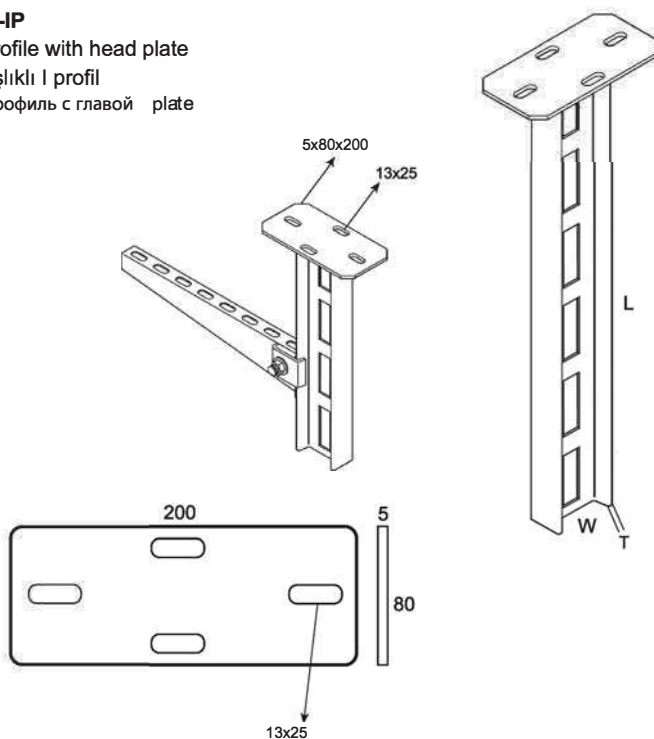
Part No	T	W	A	L	Kg
GE-I-20	4	80	40	200	1.15
GE-I-30	4	80	40	300	1.70
GE-I-40	4	80	40	400	2.30
GE-I-50	4	80	40	500	2.85
GE-I-60	4	80	40	600	3.45
GE-I-70	4	80	40	700	4.00
GE-I-80	4	80	40	800	4.60
GE-I-90	4	80	40	900	5.15
GE-I-100	4	80	40	1000	5.70
GE-I-150	4	80	40	1500	8.55
GE-I-200	4	80	40	2000	11.45
GE-I-300	4	80	40	3000	17.10
GE-I-600	4	80	40	6000	34.20



A_q cm ²	W_y cm ³	W_z cm ³
6.70	19.5	3.0

HDG EG SS4 SS6 ESB APB

GE-IP
I Profile with head plate
Başlıklı I profil
Я профиль с головой plate



Part No	T	W	A	L	Kg
GE-IP-20	4	80	40	200	1.75
GE-IP-30	4	80	40	300	2.30
GE-IP-40	4	80	40	400	2.90
GE-IP-50	4	80	40	500	3.45
GE-IP-60	4	80	40	600	4.05
GE-IP-70	4	80	40	700	4.60
GE-IP-80	4	80	40	800	5.20
GE-IP-90	4	80	40	900	5.75
GE-IP-100	4	80	40	1000	6.30
GE-IP-150	4	80	40	1500	9.15
GE-IP-200	4	80	40	2000	12.05
GE-IP-300	4	80	40	3000	17.70

HDG EG SS4 SS6 ESB APB



GE-IPS
I Profile end cap, PVC
I Profil Sonlandırma

Material options: Stainless steel AISI 304 (L) (A2) / AISI 316 (L) (A4), ST-37-42 Mild Steel, Corten A, Pregalvanized steel, Aluminum
 Finish options : Hot Dip Galvanized to EN 1461, Electrogalvanized to TS 149, Electrostatic Paint Coated, Prime coated
 See material & finish option charts for available product specific selections.

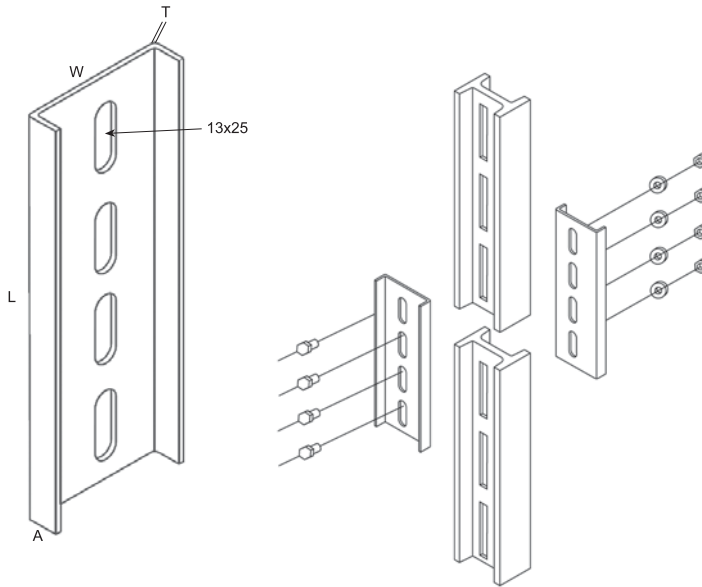
Support Systems

GE-IEK

I beam connector
 I profil (NP) ek elemanı
 Профиль разъем

Part No	T	W	A	L	Kg
GE-IEK	3	65	17	220	0,52

HDG EG SS4 SS6 ESB APB



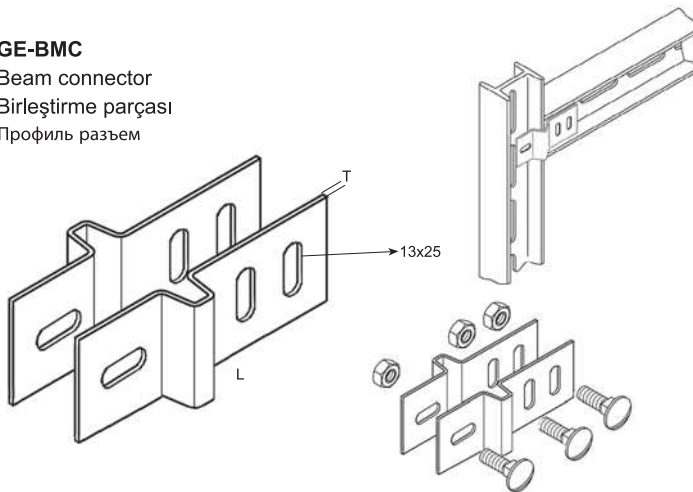
Used for vertical installations.
 Dikey bağlantı parçasıdır.
 Используется для вертикального соединения

GE-BMC

Beam connector
 Birleştirme parçası
 Профиль разъем

Part No	T	L	Kg
GE-BMC-1	4	200	0,85

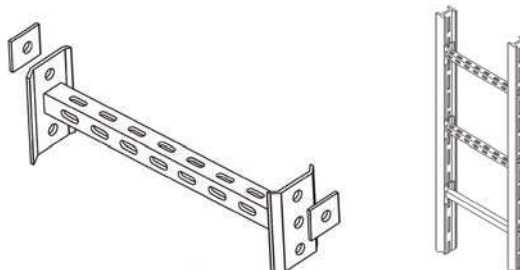
HDG EG SS4 SS6 ESB APB



Used for horizontal installations.
 Yatay bağlantı parçasıdır.
 Используется для вертикального соединения

GE-IRUNG

Modüler rung for I beam
 Modüler basama



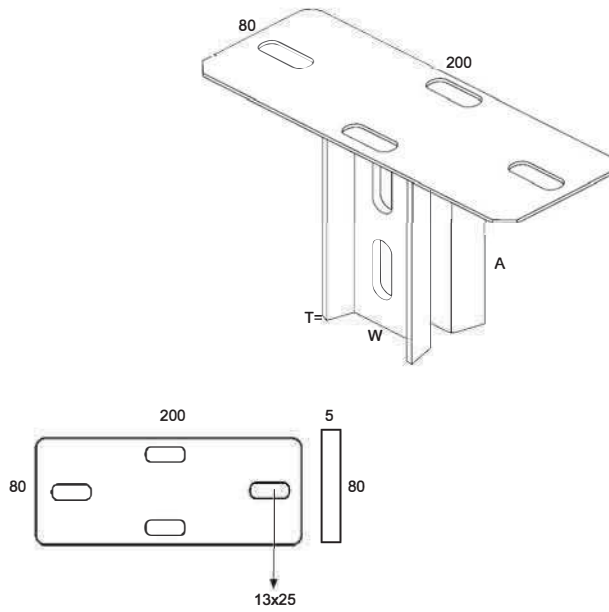
Material options: Stainless steel AISI 304 (L) (A2) / AISI 316 (L) (A4), ST-37-42 Mild Steel, Corten A, Pregalvanized steel, Aluminum
 Finish options : Hot Dip Galvanized to EN 1461, Electrogalvanized to TS 149, Electrostatic Paint Coated, Prime coated
 See material & finish option charts for available product specific selections.

Support Systems

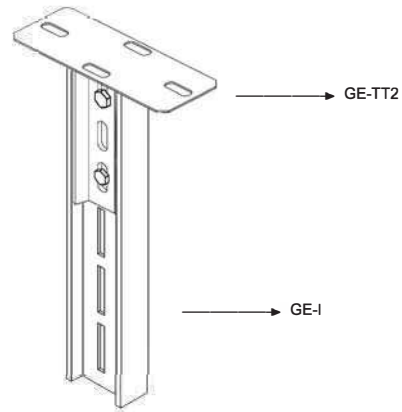
GE-TT2
 Ceiling bracket
 Tavan tespiti
 Кронштейн для потолка

Part No	T	W	A	L	Kg
GE-TT2	3	65	150	-	1.20

HDG **EG** **SS4** **SS6** **ESB** **APB**



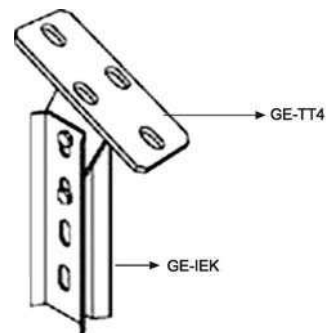
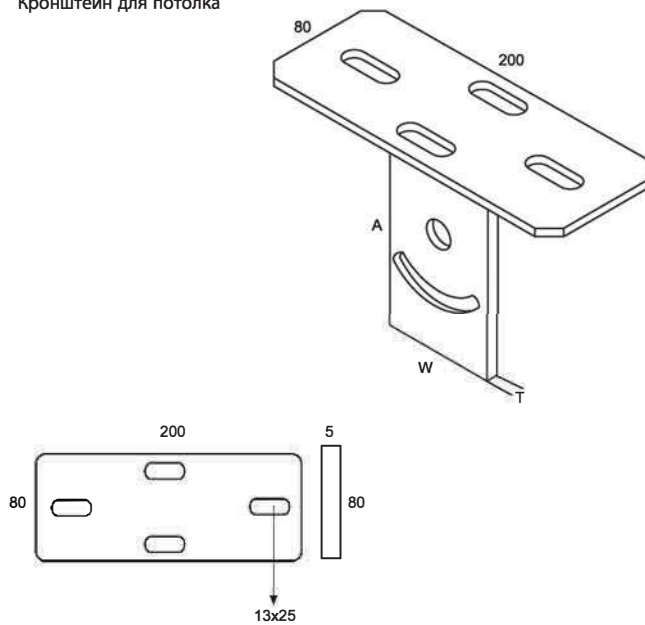
Straight assembly
 Dik montaj
 Угол свободных собраний



GE-TT4
 Ceiling bracket
 Tavan tespiti
 Кронштейн для потолка

Part No	T	W	A	L	Kg
GE-TT4-1	3	100	100	-	0.82

HDG **EG** **SS4** **SS6** **ESB** **APB**

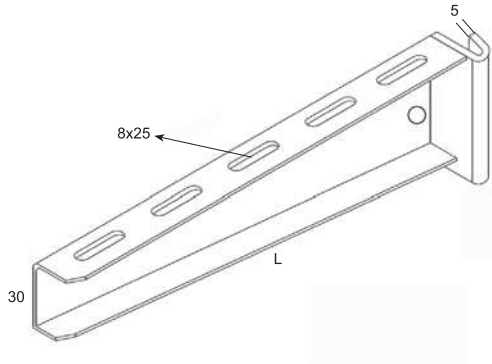


Angular assembly
 Açılı montaj
 Угловое собраний

Material options: Stainless steel AISI 304 (L) (A2) / AISI 316 (L) (A4), ST-37-42 Mild Steel, Corten A, Pregalvanized steel, Aluminum
 Finish options : Hot Dip Galvanized to EN 1461, Electrogalvanized to TS 149, Electrostatic Paint Coated, Prime coated
 See material & finish option charts for available product specific selections.

Support Systems

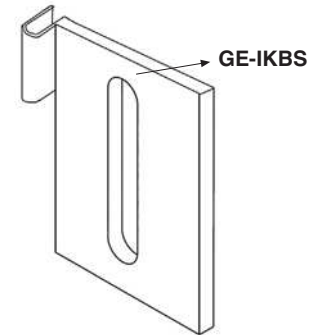
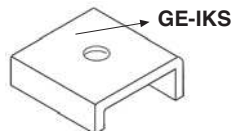
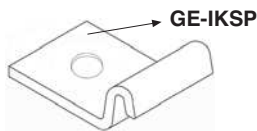
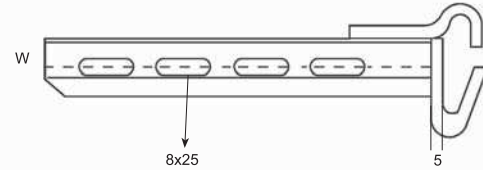
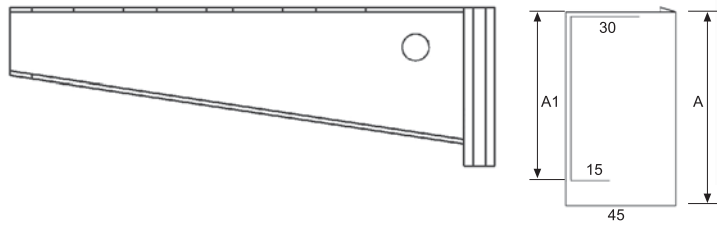
GE-İK
 I bracket
 I konsolu
 Консоль



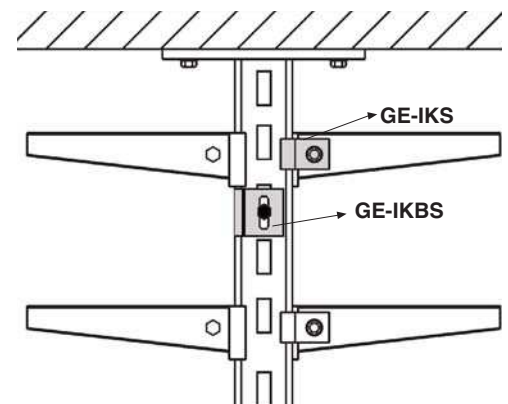
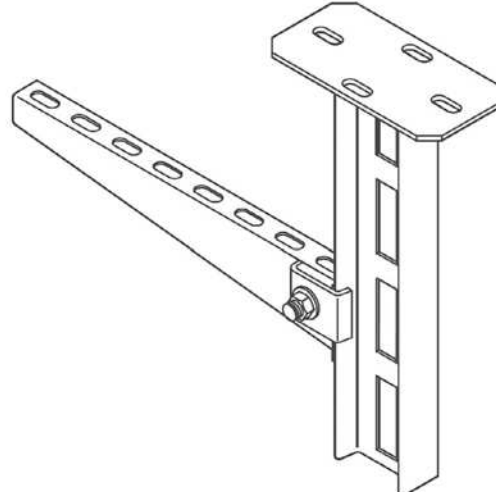
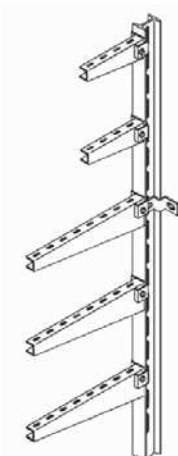
Part No	T	W	A1	A	L	Kg
GE-İK-10	3	30	65	70	100	0.60
GE-İK-15	3	30	65	70	150	0.70
GE-İK-20	3	30	65	70	200	0.80
GE-İK-22	3	30	65	70	225	0.90
GE-İK-30	3	30	65	70	300	1.10
GE-İK-40	3	30	65	70	400	1.30
GE-İK-45	3	30	65	70	450	1.40
GE-İK-50	3	30	80	85	500	1.64
GE-İK-60	3	30	80	85	600	1.90
GE-İK-75	3	30	80	85	750	2.26
GE-İK-90	3	30	80	85	900	2.64

I bracket supplied with fastening set.
 I konsol sıkma parçasıyla birlikte teslim edilir.
 Кронштейн крепления поставляются с аксессуарами.

HDG EG SS4 SS6 ESB APB



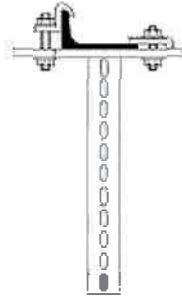
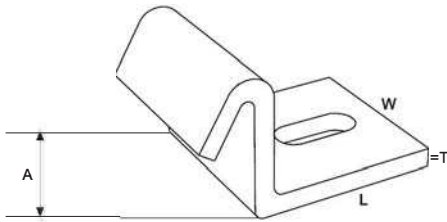
Used to secure I bracket to I beam.
 I demirine I konsolunu monte etmek için kullanılır.
 Используется для крепления кронштейна к профилю.



Material options: Stainless steel AISI 304 (L) (A2) / AISI 316 (L) (A4), ST-37-42 Mild Steel, Corten A, Pregalvanized steel, Aluminum
 Finish options : Hot Dip Galvanized to EN 1461, Electrogalvanized to TS 149, Electrostatic Paint Coated, Prime coated
 See material & finish option charts for available product specific selections.

Support Systems

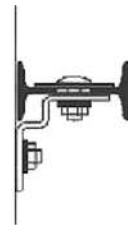
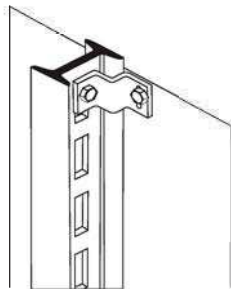
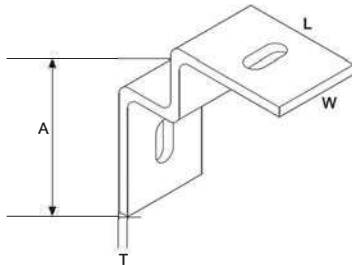
GE-ITP-A
 Fixing clamp
 Tespit kelepçesi
 Фиксация зажим



Part No	T	W	A	L	Kg
GE-ITP-A	5	50	34	40	0,27

HDG EG SS4 SS6 ESB APB

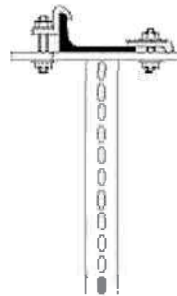
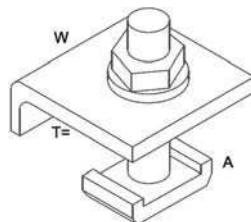
GE-ITP-B
 Fixing clamp
 Tespit kelepçesi
 Фиксация зажим



Part No	T	W	A	L	Kg
GE-ITP-B	5	50	75	45	0,35

HDG EG SS4 SS6 ESB APB

GE-ITP-C
 Fixing clamp
 Tespit kelepçesi
 Фиксация зажим



Part No	T	W	A	L	Kg
GE-ITP-C-1	6	50	5	60	0,16
GE-ITP-C-2	6	50	10	60	0,21
GE-ITP-C-3	6	50	15	60	0,22
GE-ITP-C-4	6	50	20	60	0,25
GE-ITP-C-5	6	50	25	60	0,27

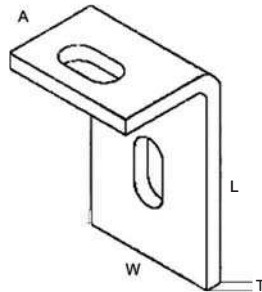
HDG EG SS4 SS6 ESB APB

Material options: Stainless steel AISI 304 (L) (A2) / AISI 316 (L) (A4), ST-37-42 Mild Steel, Corten A, Pregalvanized steel, Aluminum
 Finish options : Hot Dip Galvanized to EN 1461, Electrogalvanized to TS 149, Electrostatic Paint Coated, Prime coated
 See material & finish option charts for available product specific selections.

Support Systems

GE-ITP L

L fixing clamp
 L tespit elemanı
 L фиксация зажим

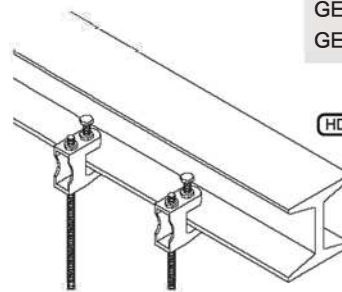
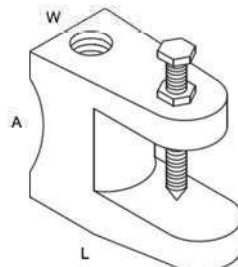


Part No	T	W	A	L	Kg
GE-ITP L	5	45	35	70	0.17

HDG EG SS4 SS6 ESB APB

GE-CSC

Beam clamp
 Mengene
 Пучок зажим

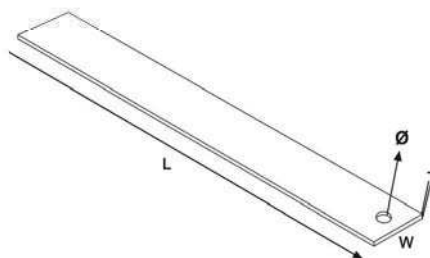
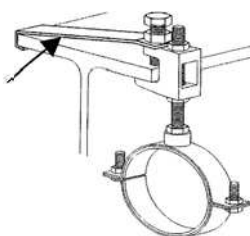


Part No	W	A	∅	Kg
GE-CSC-8	25	42	M8	0.18
GE-CSC-10	25	42	M10	0.18
GE-CSC-12	25	42	M12	0.18
GE-CSC-14	25	42	M14	0.18
GE-CSC-16	25	42	M16	0.18

HDG EG SS4 SS6 ESB APB

GE-CSCF

Safety strap
 Emniyet bandı
 Ремешок для армирования



Part No	T	W	L	∅
GE-CSCF-8	3	25	350	M8
GE-CSCF-10	3	25	350	M10
GE-CSCF-12	3	25	350	M12
GE-CSCF-14	3	40	400	M14
GE-CSCF-16	3	40	400	M16

HDG PG EG SS4 SS6 ESB APB

Beam clamps can be secured with GE-CSCF safety straps.
 Beam clamps must be secured for installation of pipes larger than DN 65 to avoid slipping according to VdS-regulations.

Material options: Stainless steel AISI 304 (L) (A2) / AISI 316 (L) (A4), ST-37-42 Mild Steel, Corten A, Pregalvanized steel, Aluminum
 Finish options : Hot Dip Galvanized to EN 1461, Electrogalvanized to TS 149, Electrostatic Paint Coated, Prime coated
 See material & finish option charts for available product specific selections.

Support Systems

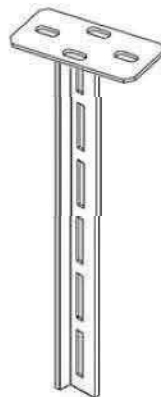
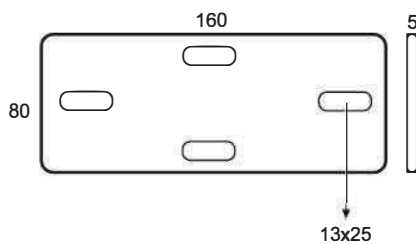
GE-T
 T profile
 T profil
 Профиль



Part No	T	W	A	L	Kg
GE-T-20	4	40	40	200	0.46
GE-T-30	4	40	40	300	0.70
GE-T-40	4	40	40	400	0.95
GE-T-50	4	40	40	500	1.15
GE-T-60	4	40	40	600	1.40
GE-T-70	4	40	40	700	1.65
GE-T-80	4	40	40	800	1.85
GE-T-90	4	40	40	900	2.10
GE-T-100	4	40	40	1000	2.30
GE-T-150	4	40	40	1500	3.45
GE-T-200	4	40	40	2000	4.60
GE-T-300	4	40	40	3000	6.90
GE-T-600	4	40	40	6000	13.80

(HDG) (EG) (SS4) (SS6) (ESB) (APB)

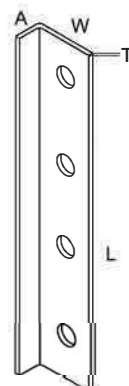
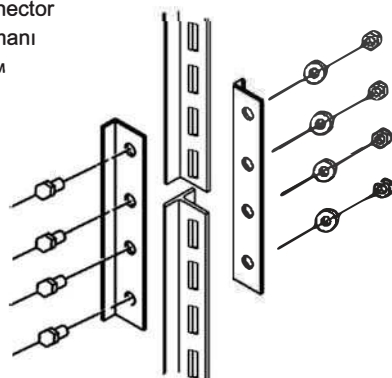
GE-TP
 T profile with head plate
 Başlıklı T profil
 Кронштейн для потолка



Part No	T	W	A	L	Kg
GE-TP-20	4	40	40	200	0.97
GE-TP-30	4	40	40	300	1.21
GE-TP-40	4	40	40	400	1.46
GE-TP-50	4	40	40	500	1.66
GE-TP-60	4	40	40	600	1.91
GE-TP-70	4	40	40	700	2.16
GE-TP-80	4	40	40	800	2.36
GE-TP-90	4	40	40	900	2.61
GE-TP-100	4	40	40	1000	2.81
GE-TP-150	4	40	40	1500	3.96
GE-TP-200	4	40	40	2000	5.10
GE-TP-300	4	40	40	3000	7.41

(HDG) (EG) (SS4) (SS6) (ESB) (APB)

GE-TEK
 T channel connector
 T profil ek elemanı
 Профиль разъем



Part No	T	W	A	L	Kg
GE-TEK	3	34	15	220	0.26

(HDG) (EG) (SS4) (SS6) (ESB) (APB)

Material options: Stainless steel AISI 304 (L) (A2) / AISI 316 (L) (A4), ST-37-42 Mild Steel, Corten A, Pregalvanized steel, Aluminum
 Finish options : Hot Dip Galvanized to EN 1461, Electrogalvanized to TS 149, Electrostatic Paint Coated, Prime coated
 See material & finish option charts for available product specific selections.

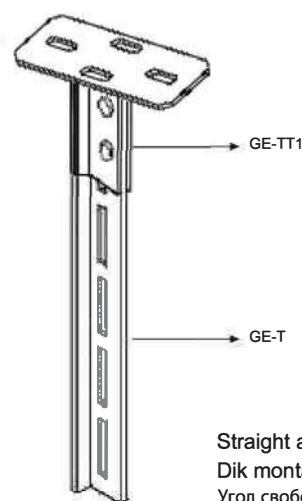
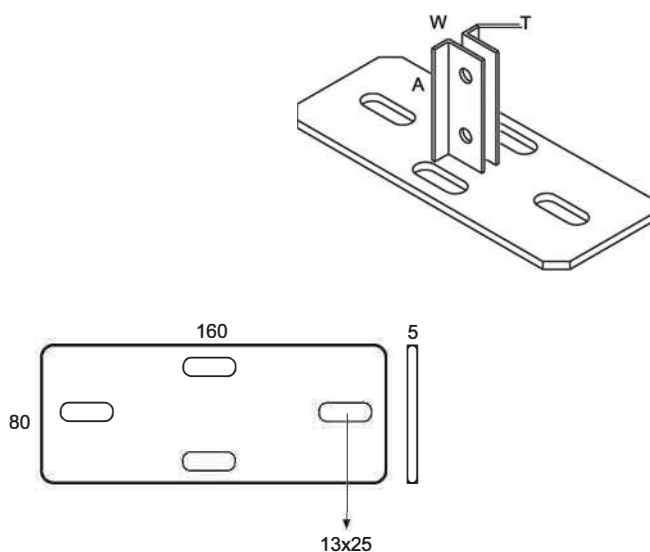
Support Systems

GE-TT1

Ceiling bracket
 Tavan tespiti
 Кронштейн для потолка

Part No	T	W	A	L	Kg
GE-TT1	3	34	150	-	0.83

HDG EG SS4 SS6 ESB APB

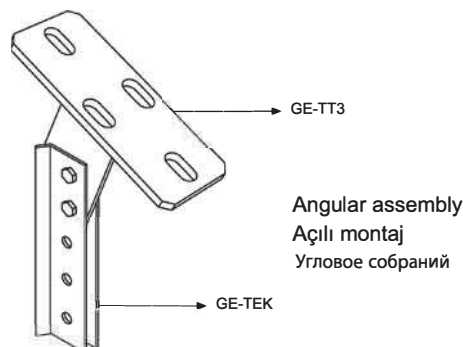
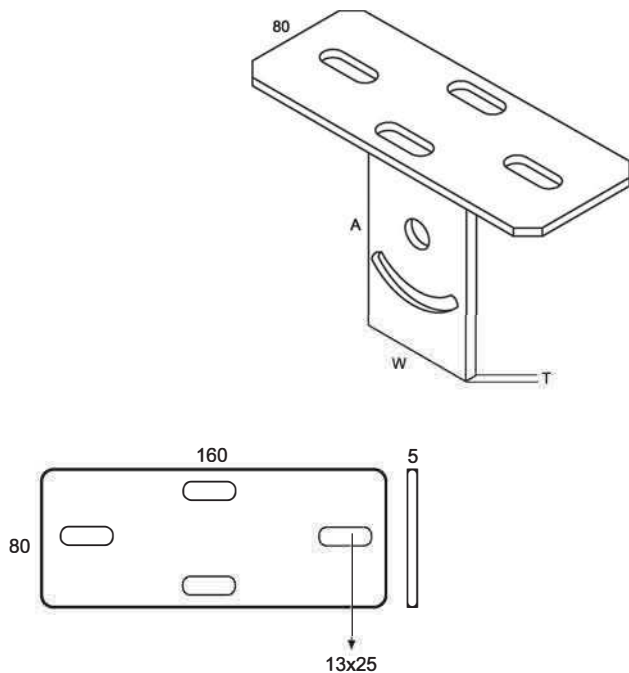


GE-TT3

Ciling bracket
 Tavan tespiti
 Кронштейн для потолка

Part No	T	W	A	L	Kg
GE-TT3	4	60	50	-	0.60

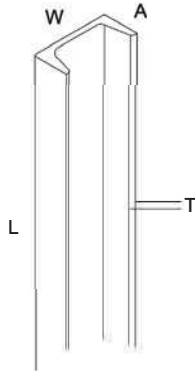
HDG EG SS4 SS6 ESB APB



Material options: Stainless steel AISI 304 (L) (A2) / AISI 316 (L) (A4), ST-37-42 Mild Steel, Corten A, Pregalvanized steel, Aluminum
 Finish options : Hot Dip Galvanized to EN 1461, Electrogalvanized to TS 149, Electrostatic Paint Coated, Prime coated
 See material & finish option charts for available product specific selections.

Support Systems

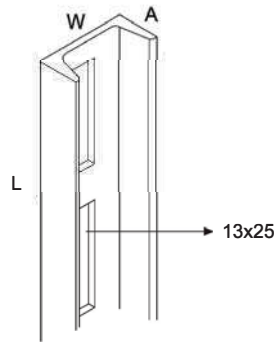
GE-NPU
 U channel
 U profil
 Профиль



Part No	T	W	A	L	Kg
GE-NPU-1	6	65	42	1000	7.50
GE-NPU-2	6	65	42	2000	15.00
GE-NPU-3	6	65	42	3000	22.50
GE-NPU-4	6	65	42	6000	45.00

(HDG) (EG) (SS4) (SS6) (ESB) (APB)

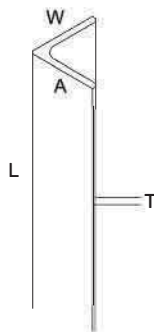
GE-NPUD
 U channel perforated
 U profil delikli
 Профиль



Part No	T	W	A	L	Kg
GE-NPUD-1	6	65	42	1000	7.25
GE-NPUD-2	6	65	42	2000	14.50
GE-NPUD-3	6	65	42	3000	21.75
GE-NPUD-4	6	65	42	6000	43.50

(HDG) (EG) (SS4) (SS6) (ESB) (APB)

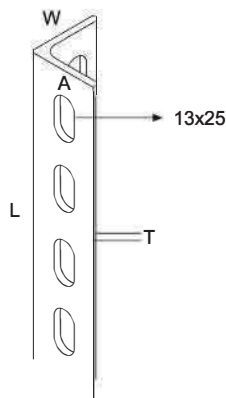
GE-NPLA
 L channel
 L profil
 Профиль



Part No	T	W	A	L	Kg
GE-NPLA-1	4	40	40	1000	2.50
GE-NPLA-2	4	40	40	2000	5.00
GE-NPLA-3	4	40	40	3000	7.50
GE-NPLA-4	4	40	40	6000	15.00
GE-NPLA-5	5	50	50	1000	3.75
GE-NPLA-6	5	50	50	2000	7.50
GE-NPLA-7	5	50	50	3000	11.25
GE-NPLA-8	5	50	50	6000	22.50

(HDG) (EG) (SS4) (SS6) (ESB) (APB)

GE-NPLAD
 L channel perforated
 L profil delikli
 Профиль



Part No	T	W	A	L	Kg
GE-NPLAD-1	4	40	40	1000	2.40
GE-NPLAD-2	4	40	40	2000	4.80
GE-NPLAD-3	4	40	40	3000	7.20
GE-NPLAD-4	4	40	40	6000	14.40
GE-NPLAD-5	5	50	50	1000	3.60
GE-NPLAD-6	5	50	50	2000	7.20
GE-NPLAD-7	5	50	50	3000	10.80
GE-NPLAD-8	5	50	50	6000	21.60

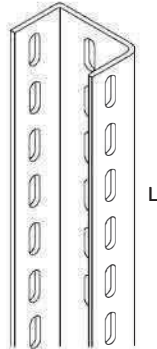
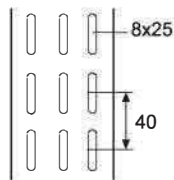
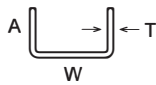
(HDG) (EG) (SS4) (SS6) (ESB) (APB)

Material options: Stainless steel AISI 304 (L) (A2) / AISI 316 (L) (A4), ST-37-42 Mild Steel, Corten A, Pregalvanized steel, Aluminum
 Finish options : Hot Dip Galvanized to EN 1461, Electrogalvanized to TS 149, Electrostatic Paint Coated, Prime coated
 See material & finish option charts for available product specific selections.

Support Systems

GE-U

U channel
 U profil
 Профиль

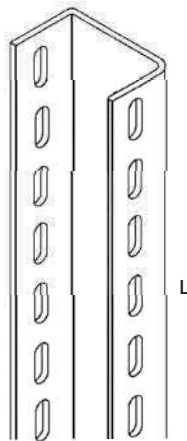
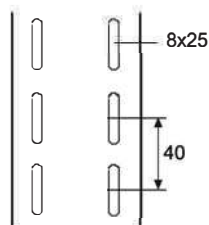
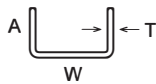


Part No	T	W	A	L	Kg
GE-U-1	2	48	30	500	0.80
GE-U-2	2	48	30	1000	1.60
GE-U-3	2	48	30	1500	2.40
GE-U-4	2	48	30	2000	3.20
GE-U-5	2	48	30	3000	4.80
GE-U-6	2	56	40	500	1.00
GE-U-7	2	56	40	1000	2.00
GE-U-8	2	56	40	2000	4.00
GE-U-9	2	56	40	3000	6.00
GE-U-10	2	40	40	1000	1.80
GE-U-11	2	50	50	1000	2.27
GE-U-12	3	50	40	1000	2.83
GE-U-13	4	50	40	1000	3.65
GE-U-14	5	50	40	1000	4.40

HDG PG EG SS4 SS6 ESB APB

GE-UV

U channel
 U profil
 Профиль

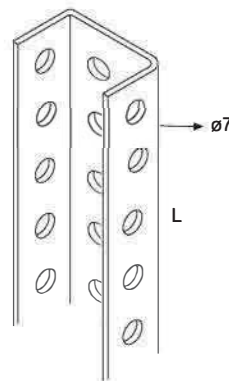
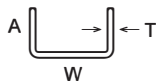


Part No	T	W	A	L	Kg/m
GE-UV-1	3	30	30	2000	1.77
GE-UV-2	3	40	40	2000	2.33
GE-UV-3	4	40	40	2000	2.95
GE-UV-4	4	50	50	2000	3.85

HDG PG EG SS4 SS6 ESB APB

GE-UY

U channel
 U profil
 Профиль



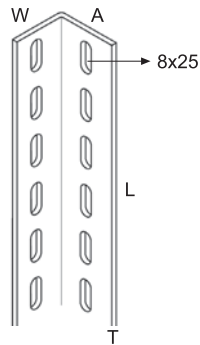
Part No	T	W	A	L	Kg/m
GE-UY-1	2	40	40	3000	1.79
GE-UY-2	2	48	30	3000	1.60
GE-UY-3	2	56	40	3000	2.00
GE-UY-4	2	50	40	3000	2.44
GE-UY-5	3	35	35	3000	2.23
GE-UY-6	3	40	40	3000	2.59
GE-UY-7	3	50	40	3000	2.80
GE-UY-8	4	40	40	3000	3.33
GE-UY-9	5	50	50	3000	5.20

HDG PG EG SS4 SS6 ESB APB

Material options: Stainless steel AISI 304 (L) (A2) / AISI 316 (L) (A4), ST-37-42 Mild Steel, Corten A, Pregalvanized steel, Aluminum
 Finish options : Hot Dip Galvanized to EN 1461, Electrogalvanized to TS 149, Electrostatic Paint Coated, Prime coated
 See material & finish option charts for available product specific selections.

Support Systems

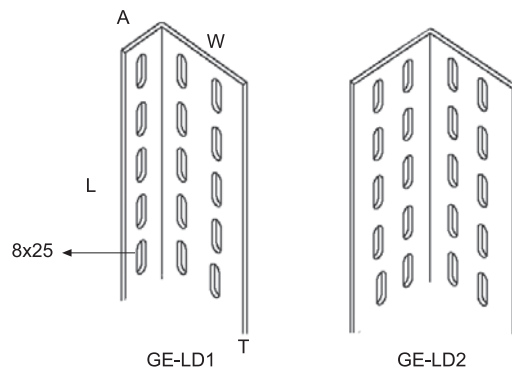
GE-LS
 L channel
 L profil
 Профиль



Part No	T	W	A	L	Kg/m
GE-LS-1	2	30	30	2400	0.90
GE-LS-2	2	40	40	3000	1.20
GE-LS-3	3	30	30	3000	1.30
GE-LS-4	3	40	40	3000	1.80
GE-LS-5	4	30	30	3000	1.66
GE-LS-6	4	40	40	3000	2.30
GE-LS-7	3	50	50	2000	2.15

HDG PG EG SS4 SS6 ESB APB

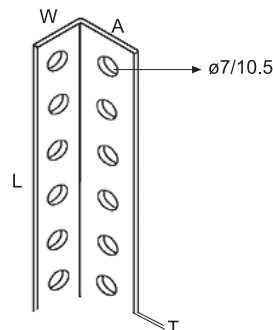
GE-LD
 L channel
 L profil
 Профиль



Part No	T	W	A	L	Kg/m
GE-LD1-1	2	40	20	3000	0.90
GE-LD1-2	2.5	90	20	3000	2.10
GE-LD1-3	2.5	110	20	3000	2.50
GE-LD1-4	3	40	20	3000	1.30
GE-LD1-5	3	90	20	3000	2.50
GE-LD1-6	3	110	20	3000	2.98
GE-LD1-7	4	40	20	3000	1.66
GE-LD2-1	2	40	40	3000	1.20
GE-LD2-2	3	40	40	3000	1.78
GE-LD2-3	4	40	40	3000	2.30

HDG PG EG SS4 SS6 ESB APB

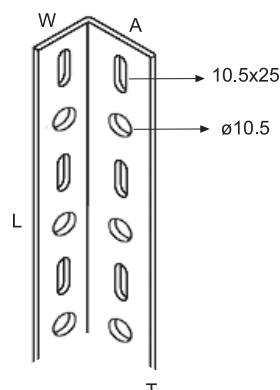
GE-LY
 L channel
 L profil
 Профиль



Part No	T	W	A	L	Kg/m
GE-LY-1	2	30	30	3000	0.86
GE-LY-2	2	40	40	3000	1.20
GE-LY-3	2.5	40	40	3000	1.50
GE-LY-4	3	30	30	3000	1.30
GE-LY-5	3	40	40	3000	1.78
GE-LY-6	4	30	30	3000	1.66
GE-LY-7	4	40	40	3000	2.30

HDG PG EG SS4 SS6 ESB APB

GE-LKS
 L channel
 L profil
 Профиль



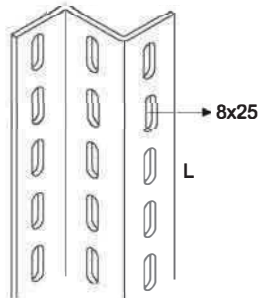
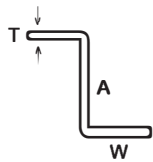
Part No	T	W	A	L	Kg/m
GE-LKS-1	2	30	30	3000	0.90
GE-LKS-2	2	40	40	3000	1.20
GE-LKS-3	2.5	30	30	3000	1.30
GE-LKS-4	2.5	40	40	3000	1.50
GE-LKS-5	3	30	30	3000	1.30
GE-LKS-6	3	40	40	3000	1.78
GE-LKS-7	4	40	40	3000	2.30
GE-LKS-8	4	50	50	3000	2.95

HDG PG EG SS4 SS6 ESB APB

Material options: Stainless steel AISI 304 (L) (A2) / AISI 316 (L) (A4), ST-37-42 Mild Steel, Corten A, Pregalvanized steel, Aluminum
 Finish options : Hot Dip Galvanized to EN 1461, Electrogalvanized to TS 149, Electrostatic Paint Coated, Prime coated
 See material & finish option charts for available product specific selections.

Support Systems

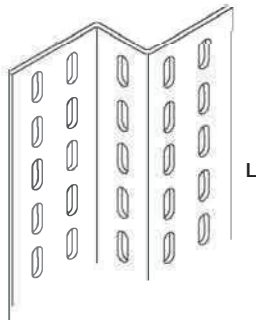
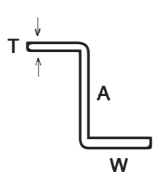
GE-Z
 Z profile
 Z profil
 Профиль



Part No	T	W	A	L	Kg/m
GE-Z-1	2	20	30	3000	1.00
GE-Z-2	2	20	40	3000	1.15
GE-Z-3	2	30	40	3000	1.45
GE-Z-4	3	25	40	3000	1.90
GE-Z-5	4	25	40	3000	2.40

(HDG) (PG) (EG) (SS4) (SS6) (ESB) (APB)

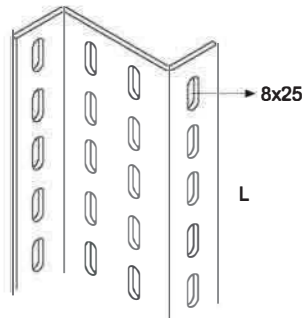
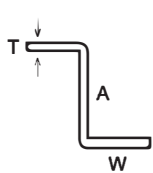
GE-Z
 Z profile
 Z profil
 Профиль



Part No	T	W	A	L	Kg/m
GE-Z-6	2	40	30	3000	1.65
GE-Z-7	2	40	40	3000	1.80
GE-Z-8	3	40	40	3000	2.60
GE-Z-9	4	40	40	3000	3.35

(HDG) (PG) (EG) (SS4) (SS6) (ESB) (APB)

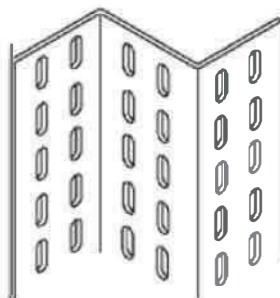
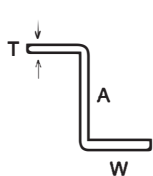
GE-Z
 Z profile
 Z profil
 Профиль



Part No	T	W	A	L	Kg/m
GE-Z-10	2	20	40	3000	1.15
GE-Z-11	2	20	60	3000	1.50
GE-Z-12	3	25	40	3000	1.90
GE-Z-13	3	25	60	3000	2.35
GE-Z-14	4	25	40	3000	2.40
GE-Z-15	4	25	60	3000	3.00

(HDG) (PG) (EG) (SS4) (SS6) (ESB) (APB)

GE-Z
 Z profile
 Z profil
 Профиль



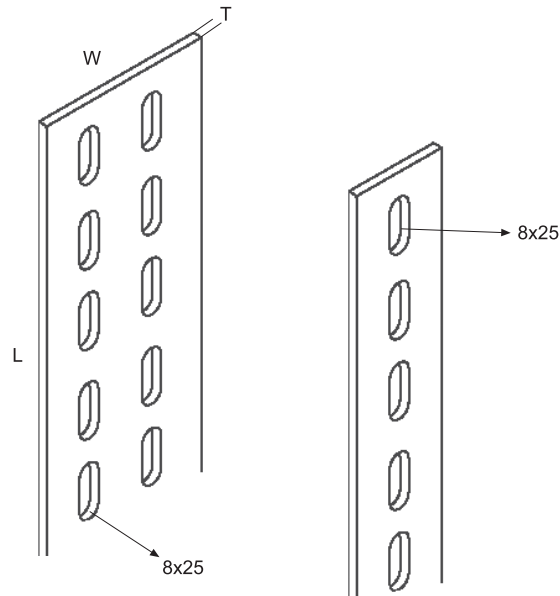
Part No	T	W	A	L	Kg/m
GE-Z-16	2	40	40	3000	1.90
GE-Z-17	2	40	60	3000	2.25
GE-Z-18	3	40	40	3000	2.90
GE-Z-19	3	40	60	3000	3.40
GE-Z-20	4	40	40	3000	3.85
GE-Z-21	4	40	60	3000	4.50

(HDG) (PG) (EG) (SS4) (SS6) (ESB) (APB)

Material options: Stainless steel AISI 304 (L) (A2) / AISI 316 (L) (A4), ST-37-42 Mild Steel, Corten A, Pregalvanized steel, Aluminum
 Finish options : Hot Dip Galvanized to EN 1461, Electrogalvanized to TS 149, Electrostatic Paint Coated, Prime coated
 See material & finish option charts for available product specific selections.

Support Systems

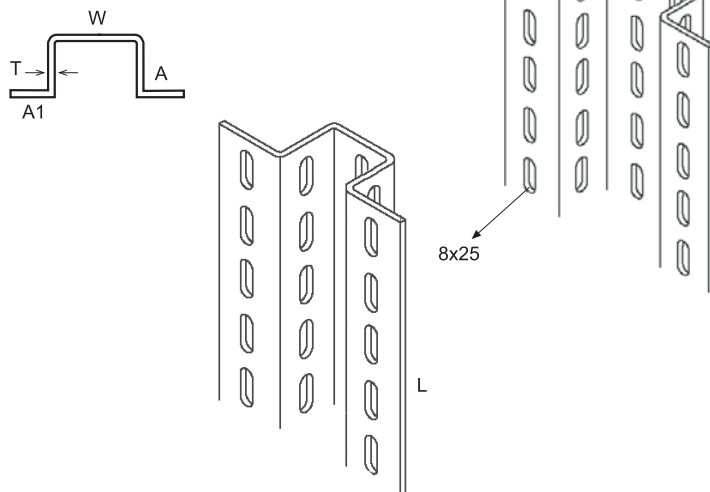
GE-SL
 Perforated flat bar
 Delikli düz lama
 Плоский профиль



Part No	T	W	L	Kg/m
GE-SL-1	2	25	3000	0.40
GE-SL-2	2	40	3000	0.65
GE-SL-3	2	60	3000	0.95
GE-SL-4	3	40	3000	0.95
GE-SL-5	3	60	3000	1.45
GE-SL-6	4	40	3000	1.30
GE-SL-7	4	60	3000	1.90

HDG PG EG SS4 SS6 ESB APB

GE-OMP
 Omega profile
 Omega profil
 Профиль



Part No	T	W	A	A1	L	Kg/m
GE-OMP-1	2	30	20	20	3000	1.50
GE-OMP-2	2	40	30	20	3000	2.00
GE-OMP-3	2	40	40	25	3000	2.47
GE-OMP-4	3	40	40	25	3000	3.50
GE-OMP-5	4	40	40	25	3000	4.40

HDG PG EG SS4 SS6 ESB APB

Material options: Stainless steel AISI 304 (L) (A2) / AISI 316 (L) (A4), ST-37-42 Mild Steel, Corten A, Pregalvanized steel, Aluminum
 Finish options : Hot Dip Galvanized to EN 1461, Electrogalvanized to TS 149, Electrostatic Paint Coated, Prime coated
 See material & finish option charts for available product specific selections.

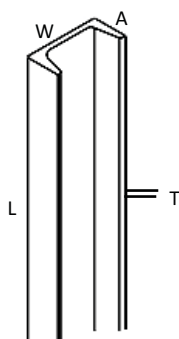
Support Systems

GE-NPI
 IPN Profile
 NPI Profil
 Профиль



Part No	T	W	A	L	Kg/m*
GE-NPI-8.4.3	3,9	80	42	6000	5,95
GE-NPI-1.5.4	4,5	100	50	6000	8,32
GE-NPI-1.5.5	5,1	120	58	6000	11,20
GE-NPI-1.6.5	5,7	140	66	6000	14,40
GE-NPI-1.7.6	6,3	160	74	6000	17,90
GE-NPI-1.8.6	6,9	180	82	6000	21,90
GE-NPI-2.9.7	7,5	200	90	6000	26,30
GE-NPI-2.9.8	8,1	220	98	6000	31,10
GE-NPI-2.1.8	8,7	240	106	6000	36,20
GE-NPI-2.1.9	9,4	260	113	6000	41,90
GE-NPI-2.1.1	10,1	280	119	6000	48,00
GE-NPI-3.1.1	10,8	300	125	6000	54,20
GE-NPI-3.1.1	11,5	320	131	6000	61,10
GE-NPI-3.1.1	12,2	340	137	6000	68,10
GE-NPI-3.1.1	13	360	143	6000	76,20
GE-NPI-3.1.1	13,7	380	149	6000	84,00
GE-NPI-4.1.1	14,4	400	155	6000	92,40
GE-NPI-4.1.1	16,2	450	170	6000	115,00
GE-NPI-5.1.1	18	500	185	6000	141,00
GE-NPI-6.2.2	21,6	600	215	6000	199,00

GE-NPU
 UPN Channel
 NPU Profil
 Профиль

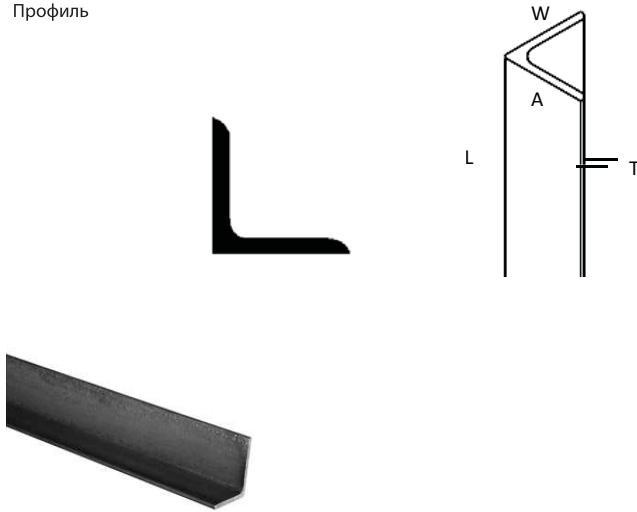


Part No	T	W	A	L	Kg/m*
GE-NPU-4.2.4	4	40	20	6000	2,70
GE-NPU-4.3.5	5	40	35	6000	4,87
GE-NPU-5.2.5	5	50	25	6000	3,86
GE-NPU-5.3.5	5	50	38	6000	5,59
GE-NPU-6.4.5	5	65	42	6000	7,09
GE-NPU-6.4.5	6	80	45	6000	8,64
GE-NPU-10.5.6	6	100	50	6000	10,60
GE-NPU-12.5.7	7	120	55	6000	13,40
GE-NPU-14.6.7	7	140	60	6000	16,00
GE-NPU-16.6.7	7,5	160	65	6000	18,80
GE-NPU-18.7.8	8	180	70	6000	22,00
GE-NPU-20.7.8	8,5	200	75	6000	25,30
GE-NPU-22.8.9	9	220	80	6000	29,40
GE-NPU-24.8.9	9,5	240	85	6000	33,20
GE-NPU-26.9.10	10	260	90	6000	37,90
GE-NPU-28.9.10	10	280	95	6000	41,80
GE-NPU-30.10.10	10	300	100	6000	46,20
GE-NPU-30.10.14	14	300	100	6000	59,50
GE-NPU-32.10.14	14	320	100	6000	59,50
GE-NPU-35.10.14	14	350	100	6000	60,60
GE-NPU-38.10.13	13,5	380	102	6000	63,10
GE-NPU-40.11.14	14	400	110	6000	71,80

Material options: Stainless steel AISI 304 (L) (A2) / AISI 316 (L) (A4), ST-37-42 Mild Steel, Corten A, Pregalvanized steel, Aluminum
 Finish options : Hot Dip Galvanized to EN 1461, Electrogalvanized to TS 149, Electrostatic Paint Coated, Prime coated
 See material & finish option charts for available product specific selections.

Support Systems

GE-NPLA
 L Channel (Angles)
 L Köşebent
 Профиль



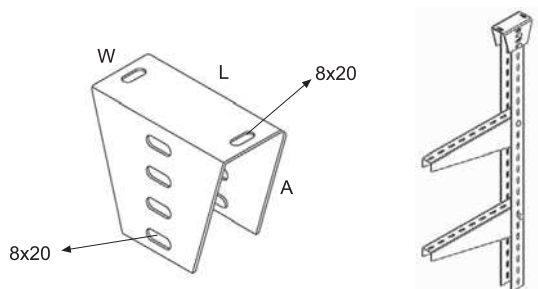
Part No	T	W	A	L	Kg/m*
GE-NPLA-2.2.3	3	20	20	6000	0,88
GE-NPLA-2.2.3	3	25	25	6000	1,11
GE-NPLA-3.3.3	3	30	30	6000	1,36
GE-NPLA-3.3.4	4	30	30	6000	1,78
GE-NPLA-3.3.4	4	35	35	6000	2,09
GE-NPLA-4.4.3	3	40	40	6000	1,84
GE-NPLA-4.4.4	4	40	40	6000	2,42
GE-NPLA-5.5.5	5	50	50	6000	3,77
GE-NPLA-5.5.6	6	50	50	6000	4,47
GE-NPLA-6.6.5	5	60	60	6000	4,57
GE-NPLA-6.6.6	6	60	60	6000	5,42
GE-NPLA-6.6.7	7	65	65	6000	6,83
GE-NPLA-6.6.9	9	65	65	6000	8,62
GE-NPLA-7.7.7	7	70	70	6000	7,38
GE-NPLA-7.7.6	6	75	75	6000	6,87
GE-NPLA-7.7.7	7	75	75	6000	7,94
GE-NPLA-8.8.8	8	80	80	6000	9,63
GE-NPLA-8.8.1	10	80	80	6000	11,90
GE-NPLA-9.9.9	9	90	90	6000	12,20
GE-NPLA-1.1.8	8	100	100	6000	12,20
GE-NPLA-1.1.1	10	100	100	6000	15,00
GE-NPLA-1.1.1	12	100	100	6000	17,80
GE-NPLA-1.1.1	10	110	110	6000	16,60
GE-NPLA-1.1.1	10	120	120	6000	18,20
GE-NPLA-1.1.1	11	120	120	6000	19,90
GE-NPLA-1.1.1	12	120	120	6000	21,60
GE-NPLA-1.1.1	12	150	150	6000	27,30
GE-NPLA-1.1.1	14	150	150	6000	31,60
GE-NPLA-1.1.1	15	150	150	6000	33,80
GE-NPLA-1.1.1	16	150	150	6000	35,90
GE-NPLA-1.1.1	15	160	160	6000	36,20
GE-NPLA-1.1.1	17	160	160	6000	40,70
GE-NPLA-1.1.1	15	180	180	6000	40,90
GE-NPLA-1.1.1	16	180	180	6000	43,50
GE-NPLA-1.1.1	18	180	180	6000	48,60
GE-NPLA-2.1.1	20	180	180	6000	53,70
GE-NPLA-1.2.2	16	200	200	6000	48,50
GE-NPLA-1.2.2	18	200	200	6000	54,20
GE-NPLA-2.2.2	20	200	200	6000	59,90
GE-NPLA-2.2.2	24	200	200	6000	71,10

Material options: Stainless steel AISI 304 (L) (A2) / AISI 316 (L) (A4), ST-37-42 Mild Steel, Corten A, Pregalvanized steel, Aluminum
 Finish options : Hot Dip Galvanized to EN 1461, Electrogalvanized to TS 149, Electrostatic Paint Coated, Prime coated
 See material & finish option charts for available product specific selections.

Support Systems

GE-AS1

Ceiling brackets
 Askı elemanları
 Потолочная консоль

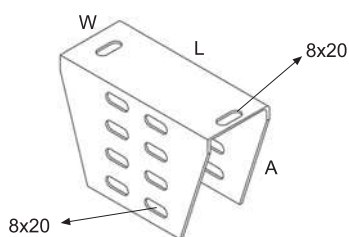


Part No	T	W	A	L	Kg
GE-AS1-1	2	52	80	120	0.36
GE-AS1-2	2	60	100	120	0.44
GE-AS1-3	3	60	100	120	0.66

HDG PG EG SS4 SS6 ESB APB

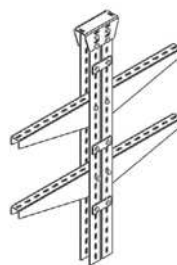
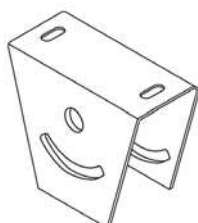
GE-AS2

Ceiling brackets
 Askı elemanları
 Потолочная консоль



GE-ASJ

Ceiling brackets
 Askı elemanları
 Потолочная консоль

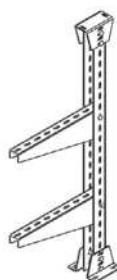
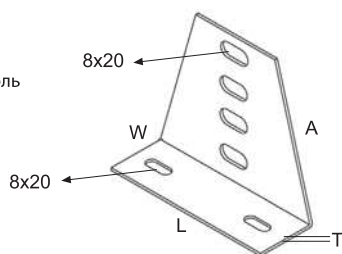


Part No	T	W	A	L	Kg
GE-AS2-1	2	52	80	160	0.42
GE-AS2-2	2	60	100	140	0.51
GE-AS2-3	3	60	100	140	0.77

HDG PG EG SS4 SS6 ESB APB

GE-AS3

Ceiling brackets
 Askı elemanları
 Потолочная консоль

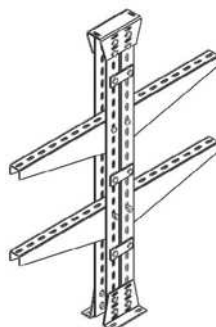
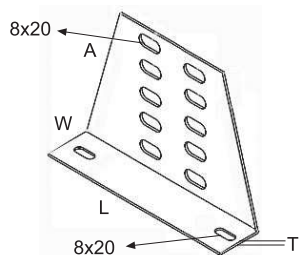


Part No	T	W	A	L	Kg
GE-AS3-1	2	35	80	120	0.20
GE-AS3-2	2	35	100	120	0.26
GE-AS3-3	2	35	100	140	0.30
GE-AS3-4	3	35	100	140	0.45

HDG PG EG SS4 SS6 ESB APB

GE-AS3-D

Ceiling brackets
 Askı elemanları
 Потолочная консоль



Part No	T	W	A	L	Kg
GE-AS3-D1	2	35	100	140	0.30
GE-AS3-D2	3	35	100	140	0.45

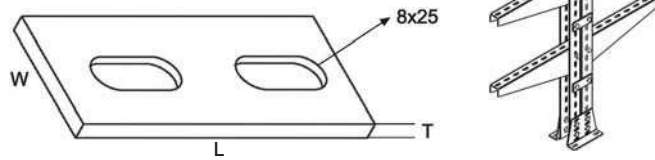
HDG PG EG SS4 SS6 ESB APB

Material options: Stainless steel AISI 304 (L) (A2) / AISI 316 (L) (A4), ST-37-42 Mild Steel, Corten A, Pregalvanized steel, Aluminum
 Finish options : Hot Dip Galvanized to EN 1461, Electrogalvanized to TS 149, Electrostatic Paint Coated, Prime coated
 See material & finish option charts for available product specific selections.

Support Systems

GE-AS4

Channel connector
 Profil birleştirme parçası
 Профиль разъем

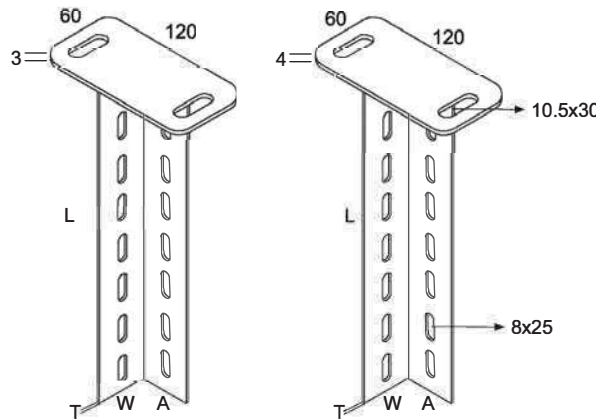


Part No	T	W	L	Kg
GE-AS4-1	2	35	60	0.034
GE-AS4-2	2	35	80	0.045
GE-AS4-3	3	35	80	0.067

HDG PG EG SS4 SS6 ESB APB

GE-TA1

Ceiling brackets
 Tavan askı
 Потолочная консоль

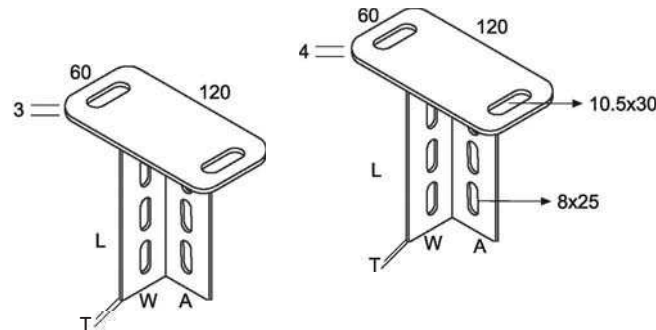


Part No	T	W	A	L	Kg
GE-TA1-1	2	40	40	500	0.78
GE-TA1-2	2	40	40	600	0.90
GE-TA1-3	2	40	40	750	1.10
GE-TA1-4	2	40	40	1000	1.39
GE-TA1-5	3	40	40	500	1.10
GE-TA1-6	3	40	40	600	1.30
GE-TA1-7	3	40	40	750	1.56
GE-TA1-8	3	40	40	1000	2.00

HDG EG SS4 SS6 ESB APB

GE-TA4

Ceiling brackets
 Tavan askı
 Потолочная консоль



Part No	T	W	A	L	Kg
GE-TA4-1	2	37	37	120	0.31
GE-TA4-2	3	37	37	120	0.45

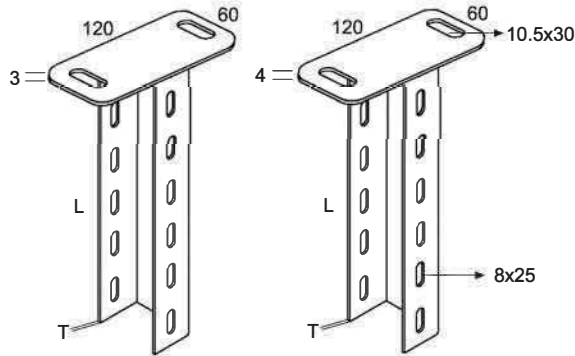
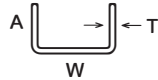
HDG EG SS4 SS6 ESB APB

Material options: Stainless steel AISI 304 (L) (A2) / AISI 316 (L) (A4), ST-37-42 Mild Steel, Corten A, Pregalvanized steel, Aluminum
 Finish options : Hot Dip Galvanized to EN 1461, Electrogalvanized to TS 149, Electrostatic Paint Coated, Prime coated
 See material & finish option charts for available product specific selections.

Support Systems

GE-TA2

Ceiling brackets
 Tavan askı
 Потолочная консоль

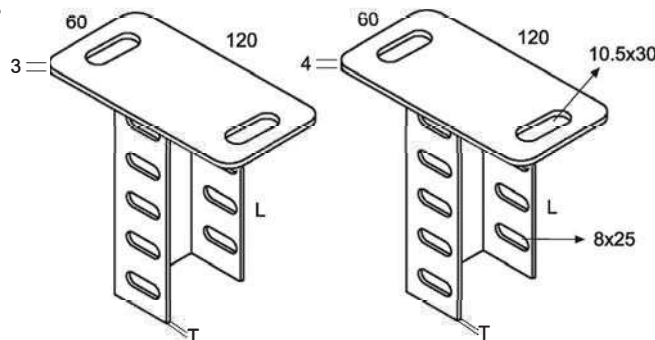
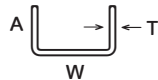


Part No	T	W	A	L	Kg
GE-TA2-1	2	48	30	500	1.00
GE-TA2-2	2	48	30	600	1.20
GE-TA2-3	2	48	30	750	1.50
GE-TA2-4	2	56	40	500	1.00
GE-TA2-5	2	56	40	600	1.35
GE-TA2-6	2	56	40	750	1.65
GE-TA2-7	3	56	40	500	1.60
GE-TA2-8	3	56	40	600	1.90
GE-TA2-9	3	56	40	750	2.35

HDG EG SS4 SS6 ESB APB

GE-TA3S

Ceiling brackets
 Tavan askı
 Потолочная консоль

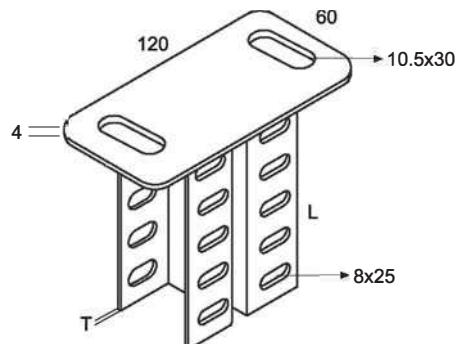
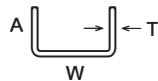


Part No	T	W	A	L	Kg
GE-TA3S-1	2	42	26	120	0.32
GE-TA3S-2	2	50	36	120	0.35
GE-TA3S-3	3	50	36	120	0.50

HDG EG SS4 SS6 ESB APB

GE-TA3D

Ceiling brackets
 Tavan askı
 Потолочная консоль



Part No	T	W	A	L	Kg
GE-TA3D-1	2	42	52	120	0.53
GE-TA3D-2	2	50	72	120	0.62
GE-TA3D-3	3	50	72	120	0.82

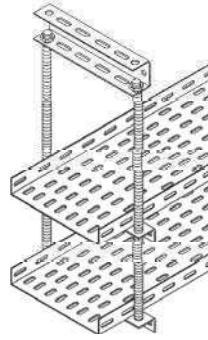
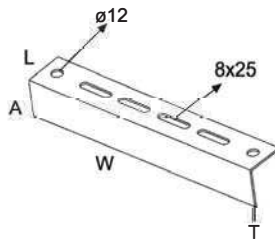
HDG EG SS4 SS6 ESB APB

Material options: Stainless steel AISI 304 (L) (A2) / AISI 316 (L) (A4), ST-37-42 Mild Steel, Corten A, Pregalvanized steel, Aluminum
 Finish options : Hot Dip Galvanized to EN 1461, Electrogalvanized to TS 149, Electrostatic Paint Coated, Prime coated
 See material & finish option charts for available product specific selections.

Support Systems

GE-AE-5L

Tray suspension with rod L
 Tijle kanal taşıyıcı L
 Поддержка для осуществления кабельного лотка

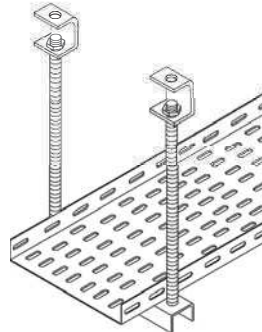
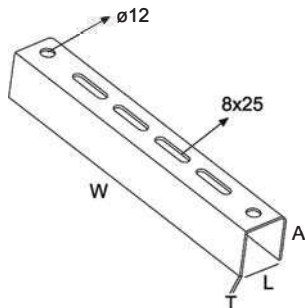


Part No	T	W	A	L	Kg
GE-AE-5L-16	1.5	220	40	40	0.20
GE-AE-5L-20	1.5	260	40	40	0.25
GE-AE-5L-26	1.5	320	40	40	0.40
GE-AE-5L-30	2.0	360	50	50	0.57
GE-AE-5L-40	2.5	460	50	50	0.90
GE-AE-5L-45	2.5	510	50	50	1.00
GE-AE-5L-50	2.5	560	50	50	1.10
GE-AE-5L-60	3.0	660	50	50	1.58

(HDG) (PG) (EG) (SS4) (SS6) (ESB) (APB)

GE-AE-5U

Tray suspension with rod U
 Tijle kanal taşıyıcı U
 Поддержка для осуществления кабельного лотка

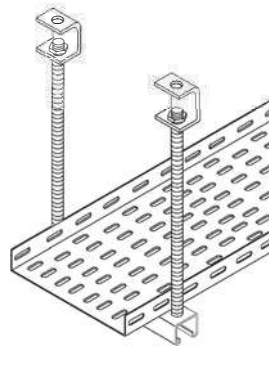
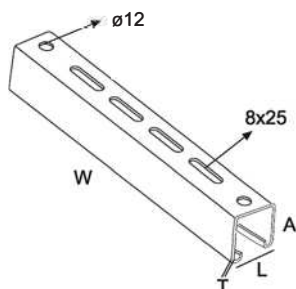


Part No	T	W	A	L	Kg
GE-AE-5U-10	2	160	30	30	0.22
GE-AE-5U-16	2	220	30	30	0.30
GE-AE-5U-20	2	260	30	30	0.35
GE-AE-5U-26	2	320	30	30	0.43
GE-AE-5U-30	2	360	30	30	0.48
GE-AE-5U-40	2.5	460	35	35	0.88
GE-AE-5U-45	2.5	510	35	35	0.97
GE-AE-5U-50	2.5	560	35	35	1.06
GE-AE-5U-60	3	660	40	40	1.70

(HDG) (PG) (EG) (SS4) (SS6) (ESB) (APB)

GE-AE-5C

Tray suspension with rod C
 Tijle kanal taşıyıcı C
 Поддержка для осуществления кабельного лотка



Part No	T	W	A	L	Kg
GE-AE-5C-10	2	160	41	41	0.32
GE-AE-5C-16	2	220	41	41	0.44
GE-AE-5C-20	2	260	41	41	0.52
GE-AE-5C-26	2	320	41	41	0.64
GE-AE-5C-30	2	360	41	41	0.72
GE-AE-5C-40	2	460	41	41	0.92
GE-AE-5C-45	2	510	41	41	1.00
GE-AE-5C-50	2	560	41	41	1.12
GE-AE-5C-60	2	660	41	41	1.32

(HDG) (PG) (EG) (SS4) (SS6) (ESB) (APB)

Material options: Stainless steel AISI 304 (L) (A2) / AISI 316 (L) (A4), ST-37-42 Mild Steel, Corten A, Pregalvanized steel, Aluminum
 Finish options : Hot Dip Galvanized to EN 1461, Electrogalvanized to TS 149, Electrostatic Paint Coated, Prime coated
 See material & finish option charts for available product specific selections.

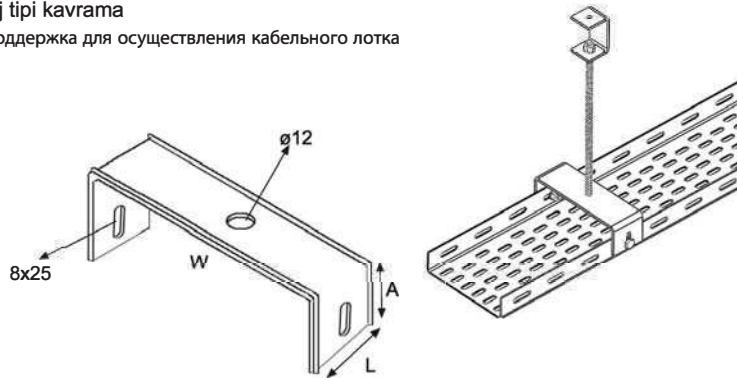
Support Systems

GE-AE-1

Tray suspension clamp

Tij tipi kavrama

Поддержка для осуществления кабельного лотка



Part No	T	W	A	L	Kg
GE-AE-1-5	1.5	54	50	50	0.10
GE-AE-1-7	1.5	74	50	50	0.12
GE-AE-1-10	1.5	104	50	50	0.14
GE-AE-1-16	1.5	164	60	60	0.20
GE-AE-1-20	1.5	204	60	60	0.23
GE-AE-1-26	2	264	60	60	0.37
GE-AE-1-30	2	304	60	60	0.40

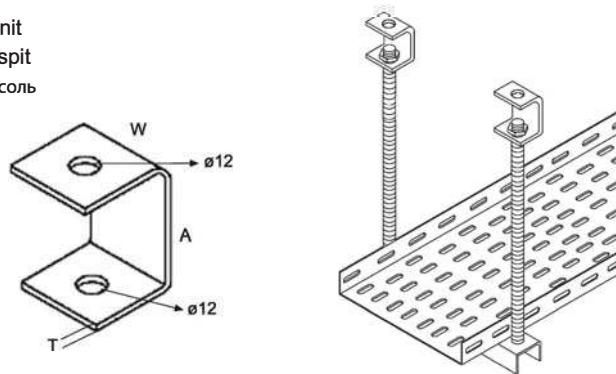
HDG PG EG SS4 SS6 ESB APB

GE-AE-2

Ceiling fixing unit

Tij tipi tavan tespit

Потолочная консоль



Part No	T	W	A	L	Kg
GE-AE-2-1	3	40	60	40	0.13

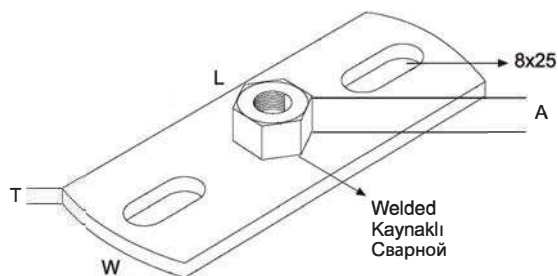
HDG PG EG SS4 SS6 ESB APB

GE-AET

Ceiling bracket for rod

Tij için tavan konsolu

Потолочная консоль



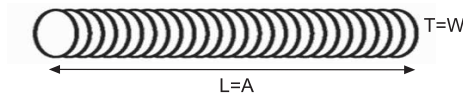
Part No	T	W	A	L	Kg
GE-AET-1	3	40	13	60	0.07

HDG EG SS4 SS6 ESB APB

Material options: Stainless steel AISI 304 (L) (A2) / AISI 316 (L) (A4), ST-37-42 Mild Steel, Corten A, Pregalvanized steel, Aluminum
 Finish options : Hot Dip Galvanized to EN 1461, Electrogalvanized to TS 149, Electrostatic Paint Coated, Prime coated
 See material & finish option charts for available product specific selections.

Support Systems

GE-KAT
 Thread rod
 Tij
 Гихон



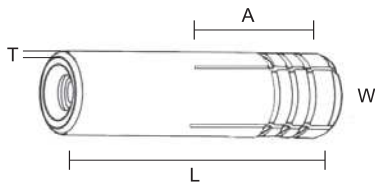
GE-KATC
 PVC cap
 PVC başlık

Part No	T	W	A	L	Kg
GE-KAT 8200	8	8	200	200	0.06
GE-KAT 8500	8	8	500	500	0.15
GE-KAT 81000	8	8	1000	1000	0.30
GE-KAT 82000	8	8	2000	2000	0.60
GE-KAT 101000	10	10	1000	1000	0.48
GE-KAT 103000	10	10	3000	3000	1.45
GE-KAT 121000	12	12	1000	1000	0.70
GE-KAT 123000	12	12	3000	3000	2.10
GE-KAT 141000	14	14	1000	1000	0.90
GE-KAT 143000	14	14	3000	3000	2.70

EG SS4 SS6

GE-CCD
 Shell bolt
 Kovanlı çelik dübel
 Монтажные болты (дюбели)

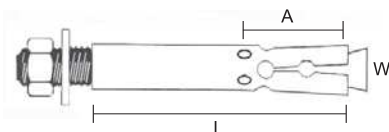
Part No	T	W	A	L	Max. Perm. load (kN)	Bending Moment	Kg
GE-CCD 01	2.5	8	30	50	1.8	6	0.113
GE-CCD 02	2.5	10	30	50	3.5	12	0.125
GE-CCD 03	3.0	12	30	50	5.0	15	0.150



EG SS4 SS6

GE-GCD
 Sleeve anchor
 Gömlekli çelik dübel
 Монтажные болты (дюбели)

Part No	T	W	A	L	Max. Perm. load (kN)	Bending Moment	Kg
GE-GCD 01	1	8	30	55	2	5.2	0.050
GE-GCD 02	1	8	40	75	2	5.2	0.060
GE-GCD 03	1	10	40	90	3	12.8	0.085
GE-GCD 04	1	10	40	110	3	12.8	0.103
GE-GCD 05	1.2	12	40	90	5	25.5	0.115
GE-GCD 06	1.2	12	40	110	5	25.5	0.135



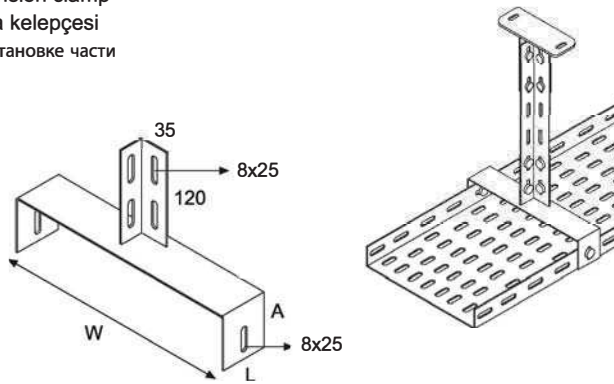
EG SS4 SS6

Material options: Stainless steel AISI 304 (L) (A2) / AISI 316 (L) (A4), ST-37-42 Mild Steel, Corten A, Pregalvanized steel, Aluminum
 Finish options : Hot Dip Galvanized to EN 1461, Electrogalvanized to TS 149, Electrostatic Paint Coated, Prime coated
 See material & finish option charts for available product specific selections.

Support Systems

GE-AE03

Tray suspension clamp
 Kanal asma kelepçesi
 Лоток пристановке части

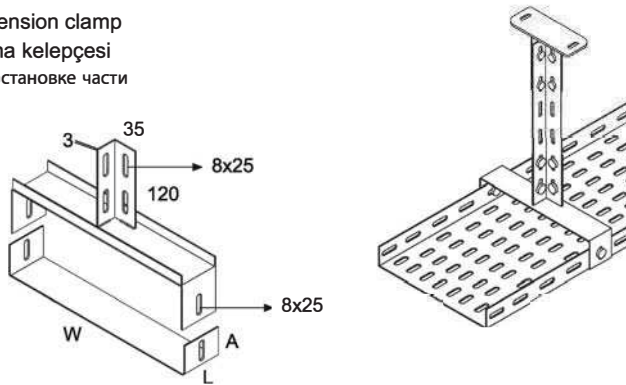


Part No	T	W	A	L	Kg
GE-AE03 7	1.5	74	60	50	0.37
GE-AE03 10	1.5	104	60	50	0.39
GE-AE03 12	1.5	124	60	50	0.41
GE-AE03 16	1.5	164	60	50	0.43
GE-AE03 20	2	204	60	50	0.62

HDG EG SS4 SS6 ESB APB

GE-AE04

Tray suspension clamp
 Kanal asma kelepçesi
 Лоток пристановке части

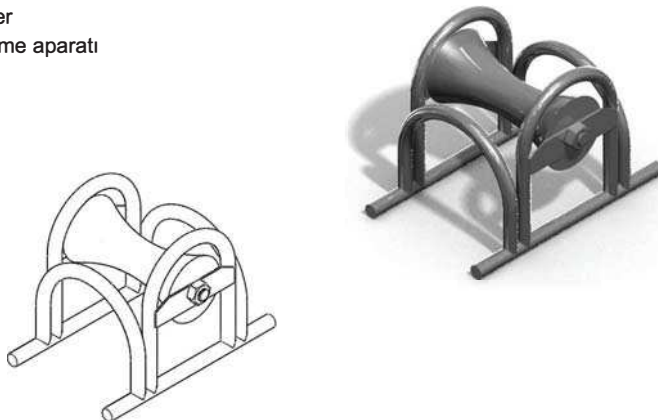


Part No	T	W	A	L	Kg
GE-AE04 26	2	264	60	55	1.03
GE-AE04 30	2	304	60	55	1.10
GE-AE04 40	2	404	60	55	1.30
GE-AE04 45	2	454	60	55	1.40
GE-AE04 50	2	504	60	55	1.49
GE-AE04 60	2	604	60	55	1.68

HDG EG SS4 SS6 ESB APB

GE-KBL

Cable roller
 Kablo çekme aparatı



Part No	Material
GE-KBL-1	Electro galvanized
GE-KBL-2	Stainless steel
GE-KBL-3	Epoxy paint coated

Material options: Stainless steel AISI 304 (L) (A2) / AISI 316 (L) (A4), ST-37-42 Mild Steel, Corten A, Pregalvanized steel, Aluminum
 Finish options : Hot Dip Galvanized to EN 1461, Electrogalvanized to TS 149, Electrostatic Paint Coated, Prime coated
 See material & finish option charts for available product specific selections.

Support Systems

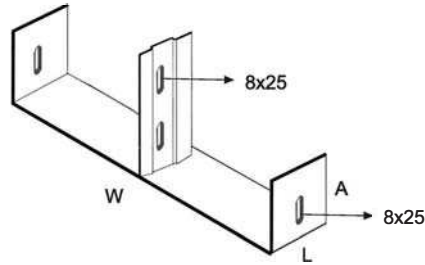
GE-AE06
 M channel
 M profil
 Профиль



Part No	T	W	A	L	Kg
GE-AE06-50	1.5	55	12	500	0.39
GE-AE06-100	1.5	55	12	1000	0.78
GE-AE06-300	1.5	55	12	3000	2.34

HDG PG EG SS4 SS6 ESB APB

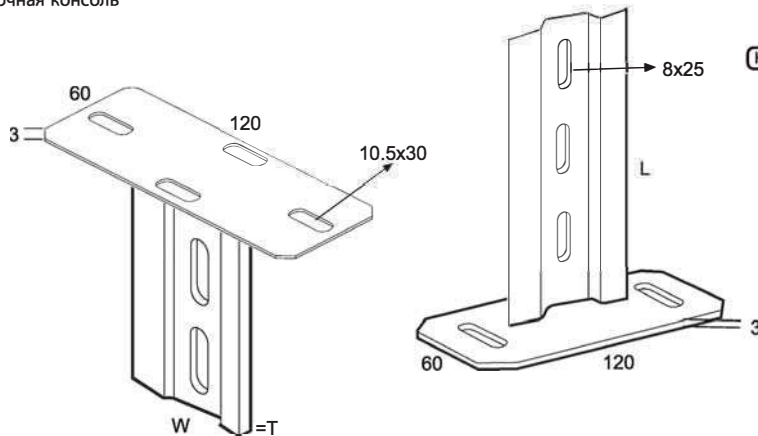
GE-AE08
 Inside clamp with M channel
 M içten kavrama
 Потолочная консоль



Part No	T	W	A	L	Kg
GE-AE08-7	2	70	40	55	0.24
GE-AE08-10	2	100	40	55	0.28
GE-AE08-16	2	160	40	55	0.33
GE-AE08-20	2	200	40	55	0.37
GE-AE08-26	2	260	40	55	0.42

HDG EG SS4 SS6 ESB APB

GE-AE07
 M ceiling bracket
 M tavan tespit
 Потолочная консоль



Part No	T	W	L	Kg
GE-AE07-1	2	55	120	0.28

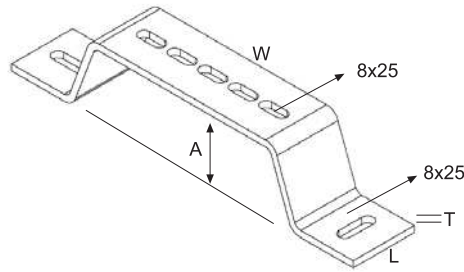
HDG EG SS4 SS6 ESB APB

Material options: Stainless steel AISI 304 (L) (A2) / AISI 316 (L) (A4), ST-37-42 Mild Steel, Corten A, Pregalvanized steel, Aluminum
 Finish options : Hot Dip Galvanized to EN 1461, Electrogalvanized to TS 149, Electrostatic Paint Coated, Prime coated
 See material & finish option charts for available product specific selections.

Support Systems

GE-ZTK

Floor stand
 Zemine tespit elemanı (Yükseltici)
 Этаж кронштейн

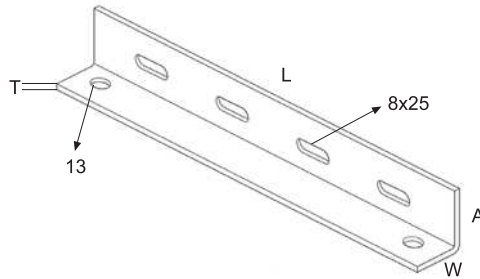


Part No	T	W	A	L	Kg
GE-ZTK-1	2	100	40	40	0.17
GE-ZTK-2	2	150	40	40	0.20
GE-ZTK-3	2	200	40	40	0.23
GE-ZTK-4	2	225	40	40	0.25
GE-ZTK-5	2	250	40	40	0.26
GE-ZTK-6	3	300	40	50	0.55
GE-ZTK-7	3	400	40	50	0.67
GE-ZTK-8	3	450	40	50	0.73
GE-ZTK-9	3	500	40	50	0.79
GE-ZTK-10	3	600	40	50	0.91
GE-ZTK-11	3	750	40	50	1.10
GE-ZTK-12	3	900	40	50	1.27

HDG PG EG SS4 SS6 ESB APB

GE-BSU

Beam suspension bracket
 Kiriş montaj elemanı
 Потолочная консоль

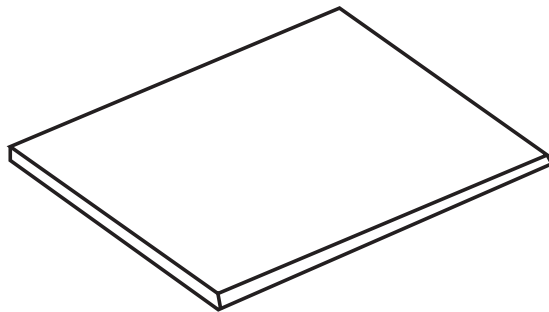


Part No	T	W	A	L	Kg
GE-BSU-1	2	40	40	220	0.27
GE-BSU-2	2	40	40	260	0.33
GE-BSU-3	2	40	40	320	0.40
GE-BSU-4	2	40	40	360	0.45
GE-BSU-5	3	40	40	460	0.56
GE-BSU-6	3	40	40	560	0.70
GE-BSU-7	3	40	40	660	0.80

HDG PG EG SS4 SS6 ESB APB

GE-PLATE

Plate
 Plaka



Material options: Stainless steel AISI 304 (L) (A2) / AISI 316 (L) (A4), ST-37-42 Mild Steel, Corten A, Pregalvanized steel, Aluminum
 Finish options : Hot Dip Galvanized to EN 1461, Electrogalvanized to TS 149, Electrostatic Paint Coated, Prime coated
 See material & finish option charts for available product specific selections.

Support Systems

GE-PBX

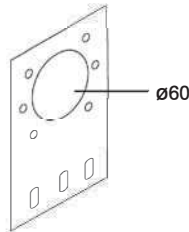
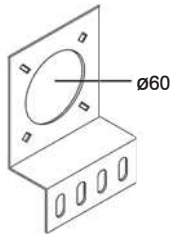
Pull box
 Buat
 Соединительная коробка



Part No	Size
GE-PBX-10	100x100
GE-PBX-20	200x100
GE-PBX-30	300x100
GE-PBX-40	300x150
GE-PBX-45	400x150

GE-BUP

Plate for junction box
 Buat plakası
 Тарелка для соединительная коробка



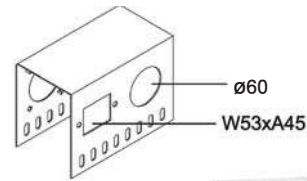
Part No	T	A	Kg
GE-BUP-A	1.5	100	0.15
GE-BUP-B	1.5	100	0.11
GE-BUP-C-75	1.5	140	0.85
GE-BUP-C-105	1.5	140	1.00
GE-BUP-C-165	1.5	140	1.10
GE-BUP-C-205	1.5	140	1.25



A



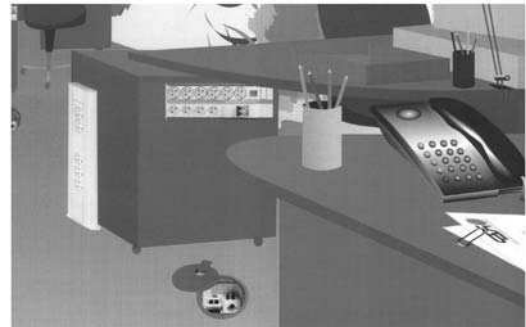
B



C

GE-PPK

Aluminum service box system
 Alüminyum priz kutusu sistemi
 Системы кабельных коробов, алюминий



Aluminum channels cut to custom lengths as per project requirements and equipped with the required type of sockets.

Alüminyum profiller istenilen boyalarda kesilir ve projenize gerekli tip soketler monte edilir.

Алюминиевые каналы разрезаются на пользовательские длин как по каждому проекту требованиям и оснащены Требуемый тип разъемов .

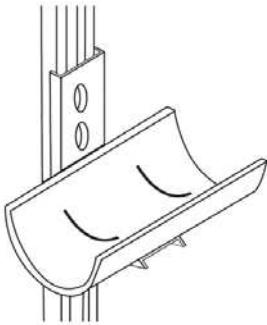
Material options: Stainless steel AISI 304 (L) (A2) / AISI 316 (L) (A4), ST-37-42 Mild Steel, Corten A, Pregalvanized steel, Aluminum
 Finish options : Hot Dip Galvanized to EN 1461, Electrogalvanized to TS 149, Electrostatic Paint Coated, Prime coated
 See material & finish option charts for available product specific selections.



SUPPORT SYSTEMS FOR TUNNELS

TÜNELLER İÇİN KABLO TAŞIMA SİSTEMLERİ
 КАБЕЛЬНЫЕ СИСТЕМЫ ДЛЯ ПОДДЕРЖКИ ТУННЕЛЯХ

GE-OGK
 MV Cable Bracket
 OG Kablo Kroşesi



GE-KAKP
 PVC cable clamp for tunnels
 Tünel tipi PVC kablo kroşesi

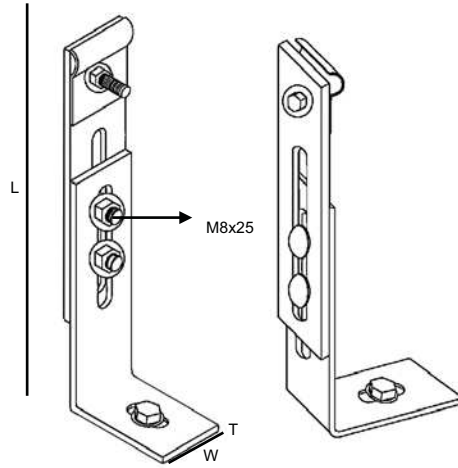


Part No	T	L	Kg
GE-OGK-1	2	150	0,70
GE-OGK-2	2	200	0,85

SS4 SS6 HDG PG

Part No	W	L	Kg
GE-KAKP-80	80	150	0,10

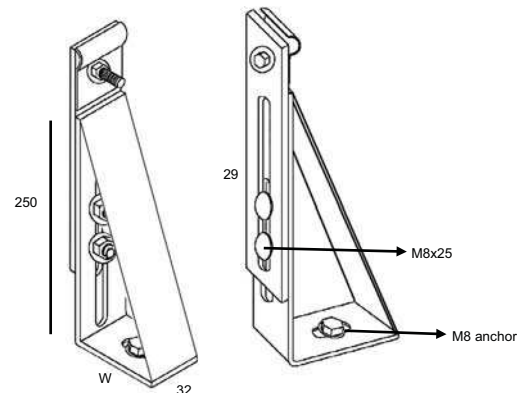
GE-BSBR
 Base support bracket for conductors
 İletken tespit elemanı



Part No	T	W	Lmax	Kg
GE-BSBR	4	32	240	0.35

SS4 SS6 HDG

GE-BSBH
 Base support bracket for conductors
 İletken tespit elemanı



Part No	T	W	Amax	Kg
GE-BSBH	4	90	485	0.35

SS4 SS6 HDG

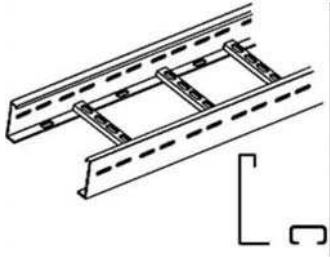
Material options: Stainless steel AISI 304 (L) (A2) / AISI 316 (L) (A4), ST-37-42 Mild Steel, Corten A, Pregalvanized steel, Aluminum
 Finish options : Hot Dip Galvanized to EN 1461, Electrogalvanized to TS 149, Electrostatic Paint Coated, Prime coated
 See material & finish option charts for available product specific selections.



SUPPORT SYSTEMS FOR TUNNELS

TÜNELLER İÇİN KABLO TAŞIMA SİSTEMLERİ

КАБЕЛЬНЫЕ СИСТЕМЫ ДЛЯ ПОДДЕРЖКИ ТУННЕЛЯХ



Tunnel type cable support systems are available in AISI 304, AISI 316 stainless steel and also hot dip galvanized finish to ISO EN 1461. Please contact us for additional material and finish options.

Tünel tipi kablo taşıma sistemleri, AISI 304, AISI 316 paslanmaz çelik ve ISO EN 1461 sıcak daldırma galvaniz olarak mevcuttur. Lütfen diğer malzemeler ve kaplama seçenekleri için bize ulaşın.

Туннельного типа кабельных систем поддержки доступны в AISI 304, AISI 316 нержавеющей стали, а также горячего цинкования Готово ISO EN 1461. Пожалуйста, свяжитесь с нами для получения дополнительной материалной и закончить варианты.

Load capacity of 1000 kg per 3 meters span with 2.0 safety factor.

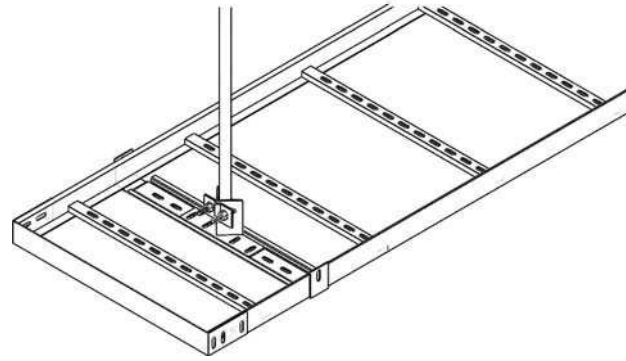
Stainless steel tunnel type cable ladders have a safe working load capacity of 1000 kg in 3 m span.

Emniyetli taşıma yükü 1000 kg/3 m

Tünel tipi paslanmaz çelik kablo merdivenlerinde emniyetli taşıma yükü 2.0 emniyet faktörüyle 1000 kg / 3 m'dir.

Грузоподъемность 1000 кг / 3 метра

Безопасная рабочая нагрузка потенциала туннельного типа кабеля лестниц (нержавеющая сталь) составляет 1000 кг метра размаха.



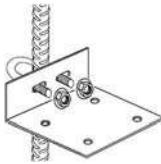
The recorder SWL is as per the standart tests performed on 1.5 mm thick cable ladder. Higher performance detected with thicker materials.

1.5 mm kalınlığındaki tünel tipi kablo merdivenlerinde test edilmiştir.

SWL записаны так же в стандартные испытания 1.5 мм лестниц толстых кабелей.

GE-RCB

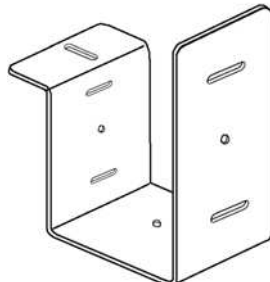
Rock bolt
 Nervürlü demir
 Железные бар для бетона



HDG PG EG SS4 SS6 ESB APB

GE-CAM

Camera mounting bracket
 Kamera montaj konsolu
 Кронштейн для крепления камеры



Manufactured to custom dimensions as per customer requirements.

Ölçüler müşteri ihtiyaçlarına göre belirlenir.

Размеры определяются в соответствии с просьбами заказчика

Material options: Stainless steel AISI 304 (L) (A2) / AISI 316 (L) (A4), ST-37-42 Mild Steel, Corten A, Pregalvanized steel, Aluminum
 Finish options : Hot Dip Galvanized to EN 1461, Electrogalvanized to TS 149, Electrostatic Paint Coated, Prime coated
 See material & finish option charts for available product specific selections.

Support Systems

GE-BKC

Pipe clamp
 Boru kelepçesi
 Трубные зажимы



Part No	T	W	A	L	Nut	Bolt	SWL	Kg
GE-BKC¾	1.5	14-18	20	58.5	8	M5x15	200	0.052
GE-BKC½	1.5	20-24	20	62.5	8	M5x15	200	0.056
GE-BKC¾	1.5	25-30	20	68.5	8	M5x15	200	0.060
GE-BKC1	1.5	32-38	20	76	8	M6x20	200	0.070
GE-BKC1¼	1.5	39-46	20	91.5	8	M6x20	200	0.087
GE-BKC1½	1.5	48-52	20	99	8	M6x20	200	0.096
GE-BKC2	1.5	59-66	20	112	8	M8x25	250	0.110
GE-BKC2½	2	74-80	25	134	10	M8x25	250	0.210
GE-BKC3	2	86-94	25	146.5	10	M8x25	250	0.230
GE-BKC4	2	108-116	25	173	10	M8x25	250	0.310
GE-BKC5	2.5	134-143	25	199	12	M8x25	600	0.360
GE-BKC6	2.5	162-170	25	227	12	M8x25	600	0.400
GE-BKC8	2.5	216-222	25	281	12	M8x25	600	0.530

GE-TRK

Pipe clamp
 Boru kelepçesi
 Трубные зажимы



Part No	T	W	A	ØxL	Kg
GE-TRK-1	0.8	12-15	20	M6x15	0.06
GE-TRK-2	0.8	16-19	20	M6x15	0.06
GE-TRK-3	0.8	21-23	20	M6x15	0.07
GE-TRK-4	0.8	26-28	20	M6x15	0.08
GE-TRK-5	0.8	32-35	20	M6x15	0.09
GE-TRK-6	1.0	40-43	20	M6x15	0.11
GE-TRK-7	1.0	44-49	20	M6x15	0.11

GE-TRCL

Trefoil clamp
 Kablo kroşesi
 Кабельные фитинги



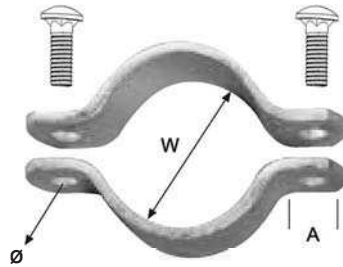
HDG PG EG SS4 SS6

Material options: Stainless steel AISI 304 (L) (A2) / AISI 316 (L) (A4), ST-37-42 Mild Steel, Corten A, Pregalvanized steel, Aluminum
 Finish options : Hot Dip Galvanized to EN 1461, Electrogalvanized to TS 149, Electrostatic Paint Coated, Prime coated
 See material & finish option charts for available product specific selections.

Support Systems

GE-BDK

Pipe clamp
 Boru kelepçesi
 Трубные зажимы



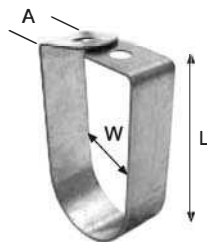
Part No	T	W	A	Ø	Kg
GE-BDK-1	5	20	30	M10	0.16
GE-BDK-2	5	21.3	30	M10	0.16
GE-BDK-3	5	25	30	M10	0.17
GE-BDK-4	5	26.9	30	M10	0.18
GE-BDK-5	5	30	30	M10	0.19
GE-BDK-6	5	33.7	30	M10	0.20
GE-BDK-7	5	38	30	M10	0.21
GE-BDK-8	5	42.4	30	M10	0.23
GE-BDK-9	5	44.5	30	M10	0.25
GE-BDK-10	5	48.3	30	M10	0.26
GE-BDK-11	6	54	40	M10	0.51
GE-BDK-12	6	57	40	M10	0.53
GE-BDK-13	6	60.3	40	M10	0.56
GE-BDK-14	6	70	40	M10	0.60
GE-BDK-15	6	76.1	40	M10	0.64
GE-BDK-16	6	82	40	M10	0.62
GE-BDK-17	6	88.9	40	M10	0.73
GE-BDK-18	6	95	40	M10	0.95
GE-BDK-19	6	102	40	M10	1.48
GE-BDK-20	8	108	50	M12	1.52
GE-BDK-21	8	114.3	50	M12	1.59
GE-BDK-22	8	121	50	M12	1.65
GE-BDK-23	8	133	50	M12	1.71
GE-BDK-24	8	139.7	50	M12	1.81
GE-BDK-25	8	154	50	M12	1.90
GE-BDK-26	8	159	50	M12	1.95
GE-BDK-27	8	168.3	50	M12	1.99
GE-BDK-28	8	180	50	M12	2.15
GE-BDK-29	8	194	50	M12	2.35
GE-BDK-30	8	219.1	50	M12	2.61
GE-BDK-31	8	225	50	M12	2.75
GE-BDK-32	8	245	60	M12	3.44
GE-BDK-33	8	267	60	M12	3.72
GE-BDK-34	8	273	60	M12	3.75
GE-BDK-35	8	280	60	M12	4.00
GE-BDK-36	8	299	60	M12	4.10
GE-BDK-37	8	315	60	M12	4.30
GE-BDK-38	8	323.9	60	M12	4.52
GE-BDK-39	8	355.6	60	M12	4.78
GE-BDK-40	8	368.3	60	M12	4.95

Material options: Stainless steel AISI 304 (L) (A2) / AISI 316 (L) (A4), ST-37-42 Mild Steel, Corten A, Pregalvanized steel, Aluminum
 Finish options : Hot Dip Galvanized to EN 1461, Electrogalvanized to TS 149, Electrostatic Paint Coated, Prime coated
 See material & finish option charts for available product specific selections.

Support Systems

GE-SPL

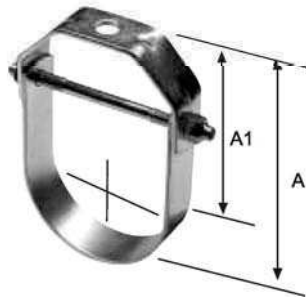
Sprinkler clamp
 Sprinkler kelepçesi
 Трубные зажимы



Part No	T	W	A	L	Ø	SWL	Kg
GE-SPL ¾	1.5	30	25	71	10.5	1.5	0.066
GE-SPL1	1.5	36	25	83	10.5	1.5	0.075
GE-SPL1 ¼	1.5	46	25	95	10.5	1.5	0.088
GE-SPL1 ½	1.5	52	25	103	10.5	1.5	0.094
GE-SPL2	1.5	66	25	118	10.5	1.5	0.106
GE-SPL2 ½	2.5	78	25	142	10.5	3.9	0.208
GE-SPL3	2.5	92	25	166	10.5	3.9	0.236
GE-SPL4	2.5	116	25	209	10.5	3.9	0.284
GE-SPL5	3	142	25	249	13	7.5	0.400
GE-SPL6	3	170	25	284	13	7.5	0.456
GE-SPL8	3	222	25	379	16	13	0.966
GE-SPL10	3	275	25	495	16	13	1.230

GE-BYB

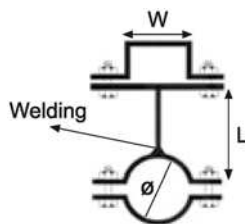
Pipe clamp
 Boru kelepçesi
 Трубные зажимы



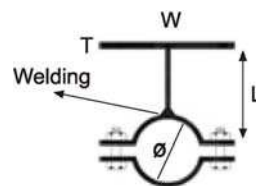
Part No	A	A1	SWL	Kg
GE-BYB-1	133	95	51	0.50
GE-BYB-2	152	101.6	51	0.56
GE-BYB-3	197	137	63	0.78
GE-BYB-4	248	173	63	1.00
GE-BYB-5	298	210	86	1.39
GE-BYB-6	356	341	90	2.18

GE-BFK

Pipe clamp, heavy duty
 Boru kelepçesi, ağır hizmet
 ТРУБНЫЕ ЗАЖИМЫ, большой грузоподъемности



BRACKET SUSPENSION, TYPE A



BRACKET SUSPENSION, TYPE B

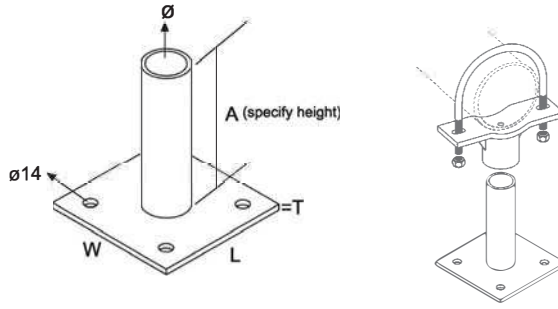


Material options: Stainless steel AISI 304 (L) (A2) / AISI 316 (L) (A4), ST-37-42 Mild Steel, Corten A, Pregalvanized steel, Aluminum
 Finish options : Hot Dip Galvanized to EN 1461, Electrogalvanized to TS 149, Electrostatic Paint Coated, Prime coated
 See material & finish option charts for available product specific selections.

Support Systems

GE-PBS

Base stand (for pipe support)
 Taban ayağı (boru destek için)
 Поддержка



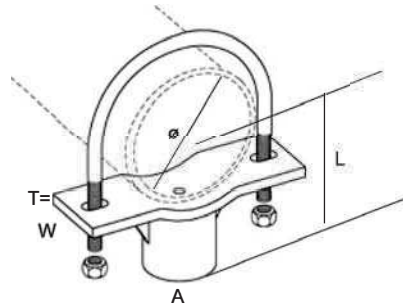
Part No	T	W	A	L	Ø
GE-PBS-1	6	150	V	150	20
GE-PBS-2	6	150	V	150	25
GE-PBS-3	6	150	V	150	32
GE-PBS-4	6	150	V	150	40
GE-PBS-5	6	150	V	150	50
GE-PBS-6	10	200	V	200	65
GE-PBS-7	10	200	V	200	65
GE-PBS-8	10	200	V	200	65
GE-PBS-9	10	300	V	300	65
GE-PBS-10	12	450	V	450	100

V : Variable

EG SS4 SS6

GE-PBST

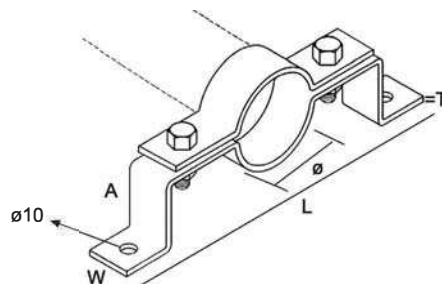
Pipe saddle support
 Boru destek elemanı
 Поддержка



Part No	T	W	A	L	Ø
GE-PBST-1	6	80	40	100	65
GE-PBST-2	6	80	40	105	80
GE-PBST-3	10	90	50	120	100
GE-PBST-4	10	90	50	135	125
GE-PBST-5	10	90	50	176	150

GE-PSBP

Pipe support base
 Boru tabandan destek elemanı
 Поддержка



Part No	T	W	A	L	Ø
GE-PSBP-1	5	30	35	160	50
GE-PSBP-2	5	30	55	190	75
GE-PSBP-3	5	30	70	210	100
GE-PSBP-4	5	30	90	240	125

Material options: Stainless steel AISI 304 (L) (A2) / AISI 316 (L) (A4), ST-37-42 Mild Steel, Corten A, Pregalvanized steel, Aluminum
 Finish options : Hot Dip Galvanized to EN 1461, Electrogalvanized to TS 149, Electrostatic Paint Coated, Prime coated
 See material & finish option charts for available product specific selections.

Support Systems

GE-UBO

U bolt
 U bolt
 У болтов

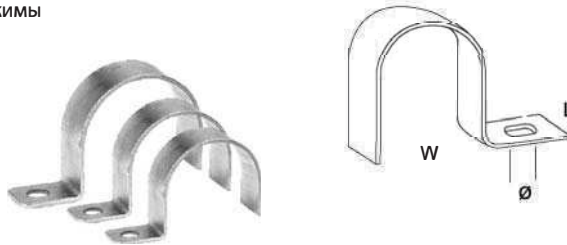


Part No	T	W	A	L	Kg
GE-UBO½	6	24	30	50	0.049
GE-UBO¾	6	30	30	60	0.052
GE-UBO1	8	36	30	70	0.054
GE-UBO1¼	8	46	40	80	0.063
GE-UBO1½	8	52	50	90	0.069
GE-UBO2	10	64	50	100	0.137
GE-UBO2½	10	78	50	120	0.160
GE-UBO3	12	94	60	140	0.270
GE-UBO3½	12	106	65	150	0.280
GE-UBO4	12	118	65	160	0.330
GE-UBO5	12	146	65	200	0.400

EG SS4 SS6

GE-TKBK

Pipe clamp
 Boru kelepçesi
 Трубные зажимы

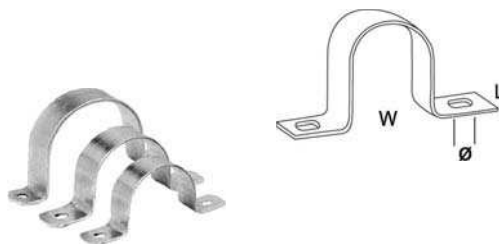


Part No	T	L	W	Ø	Kg
GE-TKBK-1	2	25	½"	9	0.02
GE-TKBK-2	2	25	¾"	9	0.03
GE-TKBK-3	2	25	1"	9	0.05
GE-TKBK-4	2	25	1¼"	9	0.06
GE-TKBK-5	2	25	1½"	9	0.07
GE-TKBK-6	3	30	2"	9	0.09
GE-TKBK-7	3	30	2½"	9	0.10
GE-TKBK-8	3	30	3"	9	0.11
GE-TKBK-9	3	30	4"	9	0.12

HDG EG SS4 SS6

GE-CKBK

Pipe clamp
 Boru kelepçesi
 Трубные зажимы



Part No	T	L	W	Ø	Kg
GE-CKBK-1	2	25	½"	9	0.03
GE-CKBK-2	2	25	¾"	9	0.04
GE-CKBK-3	2	25	1"	9	0.05
GE-CKBK-4	2	25	1¼"	9	0.06
GE-CKBK-5	2	25	1½"	9	0.07
GE-CKBK-6	3	30	2"	9	0.09
GE-CKBK-7	3	30	2½"	9	0.11
GE-CKBK-8	3	30	3"	9	0.13
GE-CKBK-9	3	30	4"	9	0.17

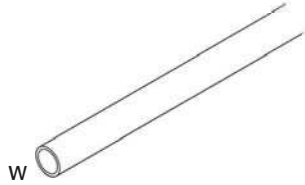
HDG EG SS4 SS6

Material options: Stainless steel AISI 304 (L) (A2) / AISI 316 (L) (A4), ST-37-42 Mild Steel, Corten A, Pregalvanized steel, Aluminum
 Finish options : Hot Dip Galvanized to EN 1461, Electrogalvanized to TS 149, Electrostatic Paint Coated, Prime coated
 See material & finish option charts for available product specific selections.

Support Systems

GE-BO

Galvanized steel conduit
 Galvanizli çelik boru
 Труба

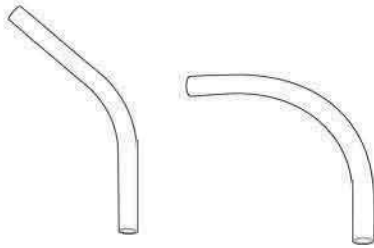


Part No	T	W	L	Kg/m
GE-BO-1	1.5	25	3000	1.00
GE-BO-2	1.5	42	3000	4.60

HDG EG SS4 SS6

GE-BOD

Conduit bend
 Boru dönüş
 Труба

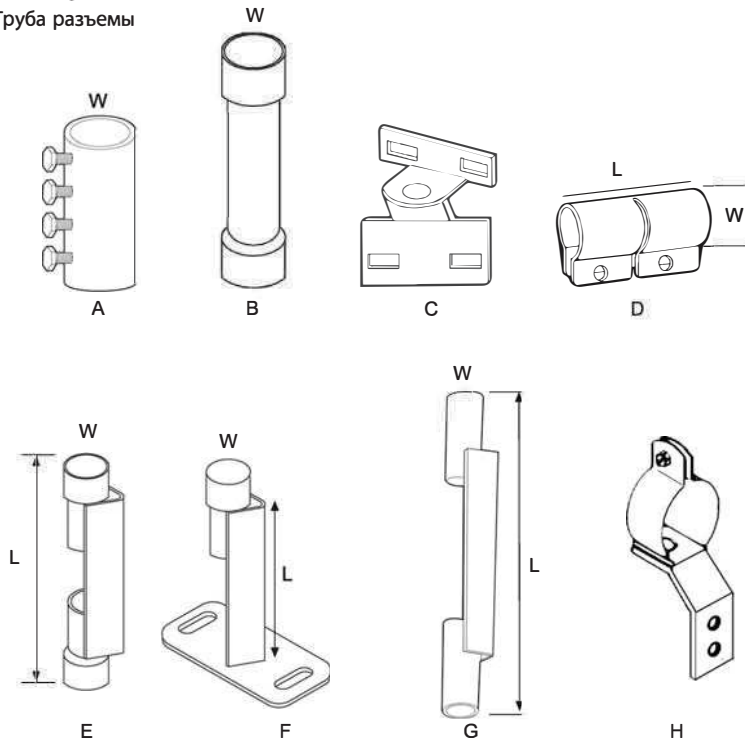


PVC cap
 PVC başlık

Part No	T	W	ø	Kg/m
GE-BOD-1	1	25	90	0.30
GE-BOD-2	1.5	42	90	0.90
GE-BOD-3	1	25	45	0.30
GE-BOD-4	1.5	42	45	0.90

GE-BBP

Conduit connectors
 Boru bağlantıları
 Труба разъемы



Part No	T	W	L	Kg
GE-BBP-D	1.5	30	80	1.00
GE-BBP-A	2	48	120	2.00
GE-BBP-C-1	2	42	80	0.12
GE-BBP-C-2	2	40	100	0.16
GE-BBP-B-1	1	25	120	0.30
GE-BBP-B-2	1.5	42	120	1.10
GE-BBP-E-1	1	30	250	0.25
GE-BBP-E-2	1.5	50	330	0.45
GE-BBP-F-1	1	30	200	0.36
GE-BBP-F-2	1.5	50	250	0.55
GE-BBP-G-1	1	30	250	0.25
GE-BBP-G-2	1.5	50	330	0.45
GE-BBP-H-1	2	-	-	-



Material options: Stainless steel AISI 304 (L) (A2) / AISI 316 (L) (A4), ST-37-42 Mild Steel, Corten A, Pregalvanized steel, Aluminum
 Finish options : Hot Dip Galvanized to EN 1461, Electrogalvanized to TS 149, Electrostatic Paint Coated, Prime coated
 See material & finish option charts for available product specific selections.

U.L. LISTED CONDUITS U.L. ONAYLI BORULAR Трубы из оцинкованной стали



GE-BO-EMT

EMT Galvanized Steel Conduit, non-threaded
 EMT Galvanizli Çelik Boru, dişsiz
 Оцинкованные стальные трубы, беспотоквая



U.L. Listed
 Conforms to NEC regulations.



Part No	Size (")	Size (mm)	Kg	Ø (mm)	T (mm)	Pack
GE-BO-EMT-050	½"	16	1,36	17,90	1,07	10
GE-BO-EMT-075	¾"	21	2,09	23,40	1,25	10
GE-BO-EMT-100	1"	27	3,04	29,40	1,45	5
GE-BO-EMT-125	1 ¼"	35	4,58	38,40	1,65	5
GE-BO-EMT-150	1 ½"	41	5,26	44,20	1,65	1
GE-BO-EMT-200	2"	53	6,71	55,80	1,65	1
GE-BO-EMT-250	2 ½"	63	9,80	73,00	1,83	1
GE-BO-EMT-300	3"	78	11,93	88,90	1,83	1
GE-BO-EMT-350	3 ½"	91	15,83	101,60	2,11	1
GE-BO-EMT-400	4"	103	17,82	114,30	2,11	1

L: 3,05m (10 feet)



U.L. Сертифицированный
 U.L. Onaylı

- IDEAL FOR USE IN BUILDINGS, HOTELS, MALLS.
 - HIGH RESISTIVITY AGAINST FIRE AND HEAT

GE-BO-IMC

IMC Galvanized Steel Conduit, threaded
 IMC Galvanizli Çelik Boru, dişli
 Трубы из оцинкованной стали, резьбовые



U.L. Listed
 Conforms to NEC regulations.



Part No	Size (")	Size (mm)	Kg	Ø (mm)	T (mm)	Pack
GE-BO-IMC-050	½"	16	2,81	20,70	1,80	10
GE-BO-IMC-075	¾"	21	3,81	26,10	1,90	5
GE-BO-IMC-100	1"	27	5,40	32,80	2,20	5
GE-BO-IMC-125	1 ¼"	35	7,17	41,60	2,20	1
GE-BO-IMC-150	1 ½"	41	8,80	47,80	2,30	1
GE-BO-IMC-200	2"	53	11,61	59,90	2,40	1
GE-BO-IMC-250	2 ½"	63	20,00	72,60	3,50	1
GE-BO-IMC-300	3"	78	24,63	88,30	3,50	1
GE-BO-IMC-350	3 ½"	91	28,53	100,90	3,50	1
GE-BO-IMC-400	4"	103	31,75	113,40	3,50	1
GE-BO-RSC-500	5"	129	63,49	141,30	6,20	1
GE-BO-RSC-600	6"	155	83,45	168,30	6,80	1

L: 3,05m (10 feet)



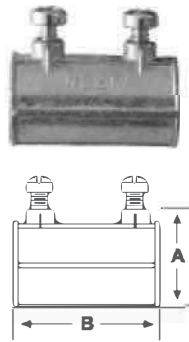
U.L. Сертифицированный
 U.L. Onaylı

- IDEAL FOR USE IN REFINERIES, OIL & GAS SITES
 - HIGH RESISTIVITY AGAINST FIRE AND HEAT

Material options: Stainless steel AISI 304 (L) (A2) / AISI 316 (L) (A4), ST-37-42 Mild Steel, Corten A, Pregalvanized steel, Aluminum
 Finish options : Hot Dip Galvanized to EN 1461, Electrogalvanized to TS 149, Electrostatic Paint Coated, Prime coated
 See material & finish option charts for available product specific selections.

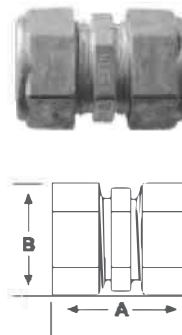


GE-TC (511 – 520)
 Zinc Set Screw Couplings
 Vidali Muf
 Труба объединяющей



Part No	Size (")	A (")	B (")
GE-TC-511	½"	1,02	1,57
GE-TC-512	¾"	1,28	1,94
GE-TC-513	1"	1,53	2,27
GE-TC-514	1 ¼"	1,99	2,63
GE-TC-515	1 ½"	2,23	2,94
GE-TC-516	2"	2,69	3,5
GE-TC-517	2 ½"	3,26	4,01
GE-TC-518	3"	3,9	4,51
GE-TC-519	3 ½"	4,46	5,00
GE-TC-520	4"	4,97	5,26
GE-TC-611	½"	1,02	0,95
GE-TC-612	¾"	1,66	1,26
GE-TC-613	1"	2,02	1,50
GE-TC-614	1 ¼"	2,18	1,92
GE-TC-615	1 ½"	3,10	2,25
GE-TC-616	2"	3,06	2,75
GE-TC-617	2 ½"	3,63	3,27
GE-TC-618	3"	3,52	3,89
GE-TC-619	3 ½"	3,77	4,40
GE-TC-620	4"	4,06	4,89

GE-TC (611 – 620)
 Compression Couplings
 Sıkmalı Muf
 Труба объединяющей

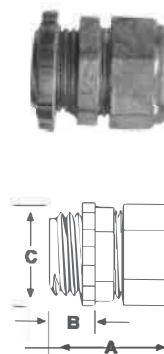


Part No	Size (")	A (")	B (")	C (")
GE-TC-501	½"	1,12	0,37	1,04
GE-TC-502	¾"	1,37	0,37	1,27
GE-TC-503	1"	1,49	0,49	1,54
GE-TC-504	1 ¼"	1,97	0,59	1,97
GE-TC-505	1 ½"	2,26	0,74	2,24
GE-TC-506	2"	2,50	0,74	2,67
GE-TC-507	2 ½"	3,10	1,07	3,27
GE-TC-508	3"	3,31	1,60	3,91
GE-TC-509	3 ½"	3,56	1,03	4,51
GE-TC-510	4"	3,76	1,11	4,97
GE-TC-601	½"	1,27	0,42	1,95
GE-TC-602	¾"	1,25	0,42	1,23
GE-TC-603	1"	1,59	0,54	1,49
GE-TC-604	1 ¼"	1,63	0,58	1,93
GE-TC-605	1 ½"	2,30	0,74	2,25
GE-TC-606	2"	2,43	0,74	2,75
GE-TC-607	2 ½"	2,86	0,99	3,29
GE-TC-608	3"	2,90	1,01	3,89
GE-TC-609	3 ½"	2,95	1,10	4,39
GE-TC-610	4"	2,73	1,00	4,95

GE-TC (501 - 510)
 Zinc Set Screw Connectors
 Sıkmalı Rakor
 Труба объединяющей



GE-TC (601 - 610)
 Compression Connectors
 Sıkmalı Rakor
 Труба объединяющей

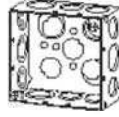


Material options: Stainless steel AISI 304 (L) (A2) / AISI 316 (L) (A4), ST-37-42 Mild Steel, Corten A, Pregalvanized steel, Aluminum
Finish options : Hot Dip Galvanized to EN 1461, Electrogalvanized to TS 149, Electrostatic Paint Coated, Prime coated
See material & finish option charts for available product specific selections.

INDOOR BOXES DAHİLİ BUATLAR



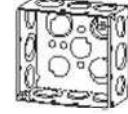
TP-432
(4SD-3/4)



ŞEKİL (SHAPE) : Derin Tip Kare Çelik Buat
EBAT (SIZES) : 102x102x54 mm
HACİM (VOLUME) : 30.3 cu inch
PATLAMA DELİKLERİ (inch) : 8x3/4" + 2x1/2" + 2x1/2" & 3/4"E
(KNOCKOUTS)



TP-436
(4SD-1)



ŞEKİL (SHAPE) : Derin Tip Kare Çelik Buat
EBAT (SIZES) : 102x102x54 mm
HACİM (VOLUME) : 30.3 cu inch
PATLAMA DELİKLERİ (inch) : 8x1" + 2x1/2" + 2x1/2" & 3/4"E
(KNOCKOUTS)



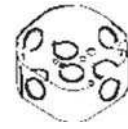
TP-224
(222-OW)



ŞEKİL (SHAPE) : Dikdörtgen Alçıpan Tipi Buat
EBAT (SIZES) : 76x51x54 mm
HACİM (VOLUME) : 30.5 cu inch
PATLAMA DELİKLERİ (inch) : 7x1/2"
(KNOCKOUTS)



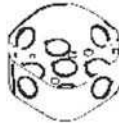
TP-294
(4OD-SPL)



ŞEKİL (SHAPE) : Derin Tip Çelik Sekizgen Buat
EBAT (SIZES) : 102x102x54 mm
HACİM (VOLUME) : 21.5 cu inch
PATLAMA DELİKLERİ (inch) : 4x1" + 3x1/2" + 2x3/4"
(KNOCKOUTS)



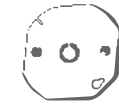
TP-278
(4O-SPL)



ŞEKİL (SHAPE) : Yuvarlak Çelik Buat
EBAT (SIZES) : 102x102x38 mm
HACİM (VOLUME) : 15.5 cu inch
PATLAMA DELİKLERİ (inch) : 5x1/2" + 4x3/4"
(KNOCKOUTS)



TP-328
(8413)



ŞEKİL (SHAPE) : Yuvarlak Düz kapak
EBAT (SIZES) : 102x102 mm
PATLAMA DELİKLERİ (inch) : 1x1/2"
(KNOCKOUTS)



TP-414
(4S-SPL-DR)



ŞEKİL (SHAPE) : Kare Çelik Buat
EBAT (SIZES) : 102x102x38 mm
HACİM (VOLUME) : 21.0 cu inch
PATLAMA DELİKLERİ (inch) : 11x1/2" + 6x3/4"
(KNOCKOUTS)



TP-472 (8465)
(TP-478 (8474))

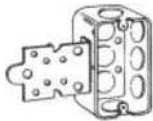


ŞEKİL (SHAPE) : Kare Düz kapak/Kare Delikli Kapak
EBAT (SIZES) : 102x102 mm
PATLAMA DELİKLERİ (inch) : 1x1/2"
(KNOCKOUTS)

UTILITY BOXES-4"x 2 1/8"



TP588
(TP647-1 1/4 Deep)



TP591



TP592, TP600,
TP602



TP598
(TP605-2 1/8 Deep)



TP594, TP596,
TP604, TP606,
TP595 (4 1/8 x 2 3/8)

KNOCKOUTS

Product Number	Bracket	Sides	Bottom
1 1/2" DEEP - 10.3 CUBIC INCH CAPACITY			
TP588	—	8-1/2"	3-1/2"
TP591	"F", Set 1/2"	5-1/2"	3-1/2"
1 1/2" DEEP EXTENSION RINGS - 10.3 CUBIC INCH CAPACITY			
TP592	—	8-1/2"	—
1 7/8" DEEP - 13.0 CUBIC INCH CAPACITY			
TP594	—	8-1/2"	3-1/2"
TP596	—	6-3/4"	3-1/2"
TP598	"S", SET 1/2"	5-1/2"	3-1/2"
EXTENSION RINGS			
TP600	—	8-1/2"	—
TP602	—	6-3/4"	—
2 1/8" DEEP - 14.5 CUBIC INCH CAPACITY			
TP604	—	8-1/2"	3-1/2"
TP606	—	6-3/4"	3-1/2"
TP605	"S", Set 1/2"	5-1/2"	3-1/2"
TP595	(18.3 Cu In. Capacity)	8-1/2"	3-1/2"

Material options: Stainless steel AISI 304 (L) (A2) / AISI 316 (L) (A4), ST-37-42 Mild Steel, Corten A, Pregalvanized steel, Aluminum
 Finish options : Hot Dip Galvanized to EN 1461, Electrogalvanized to TS 149, Electrostatic Paint Coated, Prime coated
 See material & finish option charts for available product specific selections.

PVC Kaplı Galveniz Çelik Spiral Boru Ağır Hizmet Tipi / PVC Coated Galvanised Steel Spiral Pipe Heavy Duty

Kod / Code	Anma Ölçüsü / Size	İç Çap / Inside Diameter (mm)	Dış Çap / Outer Diameter (mm)	Ambalaj Miktarı / Packing Qty. (mt)
GE-EF-10	1/4"	10,0	15,0	30
GE-EF-12	3/8"	12,0	18,0	30
GE-EF-16	1/2"	15,5	21,5	30
GE-EF-21	3/4"	20,5	27,0	30
GE-EF-27	1"	26,5	33,0	30
GE-EF-35	1 1/4"	34,5	43,0	15
GE-EF-40	1 1/2"	39,5	48,0	15
GE-EF-50	2"	50,5	60,0	15
GE-EF-65	2 1/2"	65,0	72,0	7,5
GE-EF-75	3"	75,0	87,0	7,5



Çelik Tel Örgülü PVC Kaplı Spiral Boru / Steel Wire Braided PVC Coated Spiral Pipe

Kod / Code	Anma Ölçüsü / Size	İç Çap / Inside Diameter (mm)	Dış Çap / Outer Diameter (mm)	Ambalaj Miktarı / Packing Qty. (mt)
GE-PTS-09	PG 9	10,0	16,0	50
GE-PTS-12	PG 11	12,0	18,0	50
GE-PTS-16	PG 16	15,5	22,0	50
GE-PTS-21	PG 21	20,5	29,0	50
GE-PTS-27	PG 29	26,5	33,0	25
GE-PTS-35	PG 36	34,5	41,0	25
GE-PTS-40	PG 42	39,5	48,0	25
GE-PTS-50	PG 48	50,5	60,0	25
GE-PTS-63	-	65,0	72,0	10
GE-PTS-75	-	75,0	87,0	10
GE-PTS-100	-	102,0	114,0	10



Çelik Tel Örgülü Spiral Boru / Steel Wire Braided Spiral Pipe

Kod / Code	Anma Ölçüsü / Size	İç Çap / Inside Diameter (mm)	Dış Çap / Outer Diameter (mm)	Ambalaj Miktarı / Packing Qty. (mt)
GE-CTS-09	1/4"	10,0	16,0	50
GE-CTS-12	3/8"	12,0	16,0	50
GE-CTS-16	1/2"	15,5	19,0	50
GE-CTS-21	3/4"	20,5	27,0	50
GE-CTS-27	1"	26,5	35,0	25
GE-CTS-35	1 1/4"	34,5	42,0	25
GE-CTS-40	1 1/2"	39,5	48,0	25
GE-CTS-50	2"	50,5	60,0	25
GE-CTS-63	2 1/2"	65,0	71,0	10
GE-CTS-75	3"	75,0	86,0	10
GE-CTS-100	4"	102,0	112,0	10



Çelik Spiral Boru Klavuz Telli / Steel Spiral Pipe with Wire

Kod / Code	Dış Çap / Outer Diameter (mm)	NPT Ölçü	Ambalaj Miktarı / Packing Qty. (mt)
GE-CGS-211	11	3/8"	50
GE-CGS-214	14		50
GE-CGS-216	16	1/2"	50
GE-CGS-218	18		50
GE-CGS-221	21	3/4"	50
GE-CGS-226	26	1"	25
GE-CGS-229	29		25
GE-CGS-232	32		25
GE-CGS-235	35	1 1/4"	25
GE-CGS-237	37		25



Material options: Stainless steel AISI 304 (L) (A2) / AISI 316 (L) (A4), ST-37-42 Mild Steel, Corten A, Pregalvanized steel, Aluminum
 Finish options : Hot Dip Galvanized to EN 1461, Electrogalvanized to TS 149, Electrostatic Paint Coated, Prime coated
 See material & finish option charts for available product specific selections.

Çelik Spiral Boru / Steel Spiral Pipe

Kod / Code	İç Çap / Inside Diameter (mm)	NPT Ölçü	Ambalaj Miktarı / Packing Qty. (mt)
GE-CGS-07	7		50
GE-CGS-09	9	1/4"	50
GE-CGS-11	11	3/8"	50
GE-CGS-14	14		50
GE-CGS-16	16	1/2"	50
GE-CGS-18	18		50
GE-CGS-21	21	3/4"	50
GE-CGS-26	26	1"	25
GE-CGS-29	29		25
GE-CGS-32	32		25
GE-CGS-35	35	1 1/4"	25
GE-CGS-37	37		25
GE-CGS-40	40	1 1/2"	25
GE-CGS-42	42		25
GE-CGS-45	45		25
GE-CGS-50	50	2"	25
GE-CGS-63	63	2 1/2"	25
GE-CGS-78	78	3"	25
GE-CGS-102	102	4"	25



PVC Kaplı Çelik Spiral Boru Klavuz Telli / PVC Coated Steel Spiral Pipe with Wire

Kod / Code	Dış Çap / Outer Diameter (mm)	NPT Ölçü	Ambalaj Miktarı / Packing Qty. (mt)
GE-PGS-211	11	3/8"	50
GE-PGS-214	14		50
GE-PGS-216	16	1/2"	50
GE-PGS-218	18		50
GE-PGS-221	21	3/4"	50
GE-PGS-226	26	1"	25
GE-PGS-229	29		25
GE-PGS-232	32		25
GE-PGS-235	35	1 1/4"	25
GE-PGS-237	37		25



PVC Kaplı Çelik Spiral Boru / PVC Coated Steel Spiral Pipe

Kod / Code	Dış Çap / Outer Diameter (mm)	NPT Ölçü	Ambalaj Miktarı / Packing Qty. (mt)
GE-PGS-07	7		50
GE-PGS-09	9	1/4"	50
GE-PGS-11	11	3/8"	50
GE-PGS-14	14		50
GE-PGS-16	16	1/2"	50
GE-PGS-16	18		50
GE-PGS-21	21	3/4"	50
GE-PGS-26	26	1"	25
GE-PGS-29	29		25
GE-PGS-32	32		25
GE-PGS-35	35	1 1/4"	25
GE-PGS-37	37		25
GE-PGS-40	40	1 1/2"	25
GE-PGS-42	42		25
GE-PGS-45	45		25
GE-PGS-50	50	2"	25
GE-PGS-63	63	2 1/2"	25
GE-PGS-78	78	3"	25
GE-PGS-102	102	4"	25



Material options: Stainless steel AISI 304 (L) (A2) / AISI 316 (L) (A4), ST-37-42 Mild Steel, Corten A, Pregalvanized steel, Aluminum
 Finish options : Hot Dip Galvanized to EN 1461, Electrogalvanized to TS 149, Electrostatic Paint Coated, Prime coated
 See material & finish option charts for available product specific selections.

Pirinç Nikel Kaplı Sabit Tip Spiral Rakoru IP54 / Nickel Plated Brass Spiral Gland Fixed Type IP54

Kod / Code	PG	Spiral Ölçüsü / Size
GE-SPR-09	PG9	1/4"
GE-SPR-11	PG11	3/8"
GE-SPR-13	PG13,5	1/2"
GE-SPR-16	PG16	1/2"
GE-SPR-21	PG21	3/4"
GE-SPR-29	PG29	1"
GE-SPR-36	PG36	1 1/4"
GE-SPR-42	PG42	1 1/2"
GE-SPR-48	PG48	2"

Kod / Code	Metrik Diş	Spiral Ölçüsü / Size
GE-SMR-16	M16x1,5	1/4"
GE-SMR-16F	M16x1,5	3/8"
GE-SMR-20	M20x1,5	1/2"
GE-SMR-20F	M20x1,5	1/2"
GE-SMR-25	M25x1,5	3/4"
GE-SMR-32	M32x1,5	1"
GE-SMR-40	M40x1,5	1 1/4"
GE-SMR-50	M50x1,5	1 1/2"
GE-SMR-63	M63x1,5	2"

Kod / Code	NPT Diş	Spiral Ölçüsü / Size
GE-NSR-14	1/4"	1/4"
GE-NSR-38	3/8"	3/8"
GE-NSR-12	1/2"	1/2"
GE-NSR-12S	1/2"	5/8"
GE-NSR-34	3/4"	3/4"
GE-NSR-100	1"	1"
GE-NSR-114	1 1/4"	1 1/4"
GE-NSR-112	1 1/2"	1 1/2"
GE-NSR-200	2"	2"



Pirinç Nikel Kaplı Spiral Boru Rakoru Erkek Tip - Ağır Hizmet (IP68) / Nickel Plated Brass Spiral Gland Male Type - Heavy Duty IP68

Kod / Code	PG	Spiral Ölçüsü / Size
GE-BBFP-09	PG9	1/4"
GE-BBFP-11	PG11	3/8"
GE-BBFP-14	PG13,5	1/2"
GE-BBFP-16	PG16	1/2"
GE-BBFP-21	PG21	3/4"
GE-BBFP-29	PG29	1"
GE-BBFP-36	PG36	1 1/4"
GE-BBFP-42	PG42	1 1/2"
GE-BBFP-48	PG48	2"

Kod / Code	Metrik Diş	Spiral Ölçüsü / Size
GE-BBFM-16	M16x1,5	1/4"
GE-BBFM-16F	M16x1,5	3/8"
GE-BBFM-20	M20x1,5	1/2"
GE-BBFM-20F	M20x1,5	1/2"
GE-BBFM-25	M25x1,5	3/4"
GE-BBFM-32	M32x1,5	1"
GE-BBFM-40	M40x1,5	1 1/4"
GE-BBFM-50	M50x1,5	1 1/2"
GE-BBFM-63	M63x1,5	2"

Kod / Code	NPT Diş	Spiral Ölçüsü / Size
GE-BBFN-01	1/4"	1/4"
GE-BBFN-02	3/8"	3/8"
GE-BBFN-03	1/2"	1/2"
GE-BBFN-03F	1/2"	1/2"
GE-BBFN-04	3/4"	3/4"
GE-BBFN-05	1"	1"
GE-BBFN-06	1 1/4"	1"
GE-BBFN-07	1 1/2"	1 1/4"
GE-BBFN-08	2"	2"



Nikel Kaplı Pirinç Spiral Boru Rakoru Dişi Tip (IP68) / Nickel Plated Brass Spiral Gland Female Type IP68

Kod / Code	PG	Spiral Ölçüsü / Size
GE-FMPG-09	PG9	1/4"
GE-FMPG-11	PG11	3/8"
GE-FMPG-13	PG13,5	1/2"
GE-FMPG-16	PG16	1/2"
GE-FMPG-21	PG21	3/4"
GE-FMPG-29	PG29	1"
GE-FMPG-36	PG36	1 1/4"
GE-FMPG-42	PG42	1 1/2"
GE-FMPG-48	PG48	2"

Kod / Code	Metrik Diş	Spiral Ölçüsü / Size
GE-FMNT-12	M12x1,5	1/4"
GE-FMNT-16	M16x1,5	3/8"
GE-FMNT-16F	M16x1,5	1/2"
GE-FMNT-20	M20x1,5	1/2"
GE-FMNT-25	M25x1,5	3/4"
GE-FMNT-32	M32x1,5	1"
GE-FMNT-40	M40x1,5	1 1/4"
GE-FMNT-50	M50x1,5	1 1/2"
GE-FMNT-63	M63x1,5	2"

Kod / Code	NPT Diş	Spiral Ölçüsü / Size
GE-FMNT-01	1/4"	1/4"
GE-FMNT-02	3/8"	3/8"
GE-FMNT-03	1/2"	1/2"
GE-FMNT-03F	1/2"	1/2"
GE-FMNT-04	3/4"	3/4"
GE-FMNT-05	1"	1"
GE-FMNT-06	1 1/4"	1 1/4"
GE-FMNT-07	1 1/2"	1 1/2"
GE-FMNT-08	2"	2"



Pirinç Rakor Ip55 / Brass Cable Gland Ip55

Kod / Code	Diş Ölçüsü / Size	Kablo Çapı / Cable Diameter (Min-Max) mm	Kutu Adedi / Box Qty
GE-RRG-09	PG9	6,0 - 9,0	100
GE-RRG-11	PG11	7,0 - 10,0	100
GE-RRG-13,5	PG13,5	8,0 - 12,0	100
GE-RRG-16	PG16	10,0 - 14,0	100
GE-RRG-21	PG21	14,0 - 20,0	100
GE-RRG-25	PG25	20,0 - 24,0	100
GE-RRG-29	PG29	24,0 - 29,0	50
GE-RRG-36	PG36	30,0 - 35,0	50
GE-RRG-42	PG42	35,0 - 40,0	10
GE-RRG-48	PG48	40,0 - 45,0	10
GE-RRG-55	PG55	45,0 - 50,0	10



Material options: Stainless steel AISI 304 (L) (A2) / AISI 316 (L) (A4), ST-37-42 Mild Steel, Corten A, Pregalvanized steel, Aluminum
 Finish options : Hot Dip Galvanized to EN 1461, Electrogalvanized to TS 149, Electrostatic Paint Coated, Prime coated
 See material & finish option charts for available product specific selections.

Stands

INSTRUMENTATION STANDS AND PIPE SUPPORTS

Instrumentation stands and pipe supports are manufactured as per project specifications and dimensions. GERPAAS offers a variety of material and finish options for this product line including stainless steel grades (A2 /A4), hot dip galvanized, electro galvanized, Electrostatic paint coated, prime coated.

ENSTRUMENTASYON STANDLARI VE BORU DESTEKLERİ

Enstrumantasyon standları ve boru destekleri proje özelliklerine ve ölçülerine göre üretilmektedir. GERPAAS bu ürün grubunu birçok malzeme ve kaplama seçeneğinde sunmaktadır; sıcak daldırma galvaniz, elektro galvaniz, paslanmaz çelik AISI 304, AISI 316(L), Elektrostatik boyalı gibi.

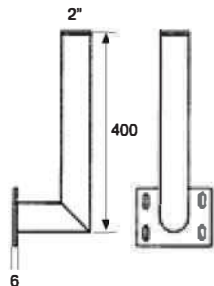
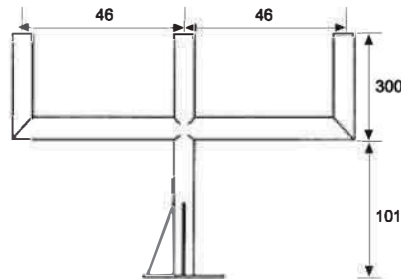
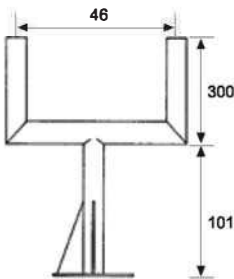
Инструментальные стелды и опор трубопроводов

Инструментальные стелды и опор трубопроводов производятся в соответствии с проектным спецификациям и размеры. GERPAAS предлагает широкий выбор материалов и отделки варианта этой линейки продуктов в том числе нержавеющей сталей (A2 / A4), горячее цинкование, электро оцинкованные, Электростатический краской, премьер-покрытием.



AREAS OF USE

- Oil & Gas Refineris
- LNG Refineris
- Chemical Plants
- Uranium Plants
- Oil Rigs
- Offshore Platforms
- GSM Substations
- Production Plants
- Warehouses
- Piping Zones
- Tribunes
- And more...



Material options: Stainless steel AISI 304 (L) (A2) / AISI 316 (L) (A4), ST-37-42 Mild Steel, Corten A, Pregalvanized steel, Aluminum
Finish options : Hot Dip Galvanized to EN 1461, Electrogalvanized to TS 149, Electrostatic Paint Coated, Prime coated
See material & finish option charts for available product specific selections.

Stands

We provide custom solutions for your instrumentation and electrical projects!

With our experience and expertise in steel fabrication works, we offer tailor-made solutions for your stand and pipe support requirements as per your requirements. With our diverse material and finish options we can solve your custom product needs.

Enstrümantasyon ve elektrik projeleriniz için özel çözümler sunuyoruz!

Elektrik ve enstrümantasyon projelerinizde stand ve boru destek üniteleri ihtiyaçlarınızı karşılamaktayız. Zengin metal malzeme ve kaplama seçenekleri ile yurtiçi ve yurtdışı projelerde şartnamelere uygun kaliteli ve ekonomik çözümler sunuyoruz. Detaylı bilgi için firmamızla irtibata geçiniz.

Мы предлагаем индивидуальные решения для электрических приборов и проектов

С нашим опытом и знаниями в стальном производстве работ, мы предлагаем индивидуальный Решения для Вашего стэнда и труб поддержку требований в соответствии с вашими требованиями. С нашим разнообразного материала и отделки вариантов, мы можем решить ваш продукт пользовательских потребностей.

Ideal Corrosion Protection

Many material and finish options exist for corrosion protection and we offer our clients these methods with high quality services.

These include the following :

Hot dip galvanizing as per EN 1461, electro galvanizing, and also painting options including electro static powder coating, prime coating. Additionally stainless steel grades of AISI 304(A2) and AISI 316 (A4) are available instandard.

Korozyona karşı ideal koruma

Korozyondan korunmak için birçok malzeme ve kaplama seçeneği mevcuttur.

Kaplama yöntemlerimiz şunlardır;

Sıcak daldırma galvaniz EN 1461, elektro galvaniz ve elektro statik toz boya.

Malzeme seçenekleri;

AISI 304 (A2) ve AISI 316 (A4) kalite paslanmaz çelik.

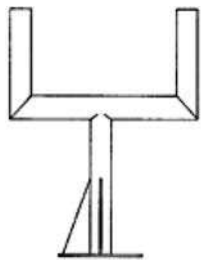
Идеальная защита от коррозии

Много материальных и закончить существуют возможности для защиты от коррозии, и мы предлагаем нашим клиентам эти методы с высоким качеством услуг.

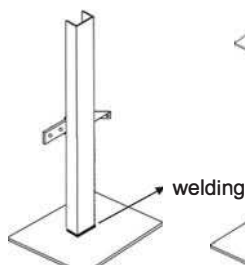
К ним относятся следующие; Горячего цинкования в соответствии с EN 1461,

электро цинкования, а также картины варианты, включая электро статический

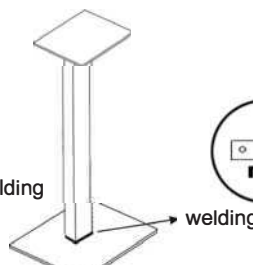
порошковое покрытие, грунтовка. Кроме того нержавеющей марок сталей по AISI 304 (A2) и AISI 316 (A4) доступны в стандартной.



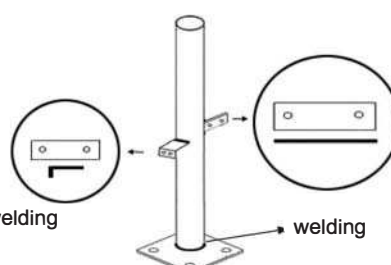
TYPE A



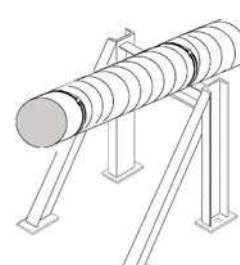
TYPE B



TYPE C



TYPE D



TYPE E

Material options: Stainless steel AISI 304 (L) (A2) / AISI 316 (L) (A4), ST-37-42 Mild Steel, Corten A, Pregalvanized steel, Aluminum
 Finish options : Hot Dip Galvanized to EN 1461, Electrogalvanized to TS 149, Electrostatic Paint Coated, Prime coated
 See material & finish option charts for available product specific selections.

Stands

Chassis for junction Boxes and Instrumentation

Fabrication for chassis for junction boxes and instrumentation is available upon request.

Dimensions vary according to project specifications. Junction boxes are shown on the drawings for illustration purposes. Hot dip galvanized and stainless steel material & finish options offered. Also electrostatic paint coating is available upon request.

Elektrik Panoları ve Enstrumantasyon Şasileri

Elektrik ve enstrumantasyon projelerinizde stand ve boru destek üniteleri ihtiyaçlarınızı karşılamaktayız. Zengin metal malzeme ve kaplama seçenekleri ile yurtiçi ve yurtdışı projelerde şartnamelere uygun kaliteli ve ekonomik çözümler sunuyoruz. Detaylı bilgi için firmamızla iletişime geçiniz.

Шасси для Распределительные коробки и оборудование

Мы, производство стали и нержавеющей стали для шасси Распределительные коробки в соответствии с требованиями заказчика.

К ним относятся следующие; Горячего цинкования в соответствии с EN 1461, электро цинкования, а также картины варианты, включая электро статический порошок покрытие, грунтовка. Кроме того нержавеющей марок сталей по AISI 304 (A2) и AISI 316 (A4) доступны в стандартной.

High Quality and Cost Effective Solutions

Small parts of junction box supports like sun shades, earthing parts, and similar items can be delivered with or without preassembly.

CAD drawings or blue prints of the parts can be used where required.

Elektrik Panoları ve Enstrumantasyon Şasileri için Yüksek Kaliteli ve Düşük Maliyetli Etkin Çözümler

Korozyondan korunmak için birçok malzeme ve kaplama seçeneği mevcuttur.

Kaplama yöntemlerimiz şunlardır; Sıcak daldırma galvaniz EN 1461, elektro galvaniz ve elektro statik toz boya.

Malzeme seçenekleri; AISI 304 (A2) ve AISI 316 (A4) kalite paslanmaz çelik.

Высокое качество и экономические эффективные решения

Малые частей распределительной коробки поддерживает как штор, заземление частей, и другие аналогичные предметы могут быть доставлены с или без preassembly.

CAD чертежи или синие отпечатки части могут быть использованы в случае необходимости.



Continuous welded



Steel chassis can be fabricated in custom dimensions as per customer requirements.

